

LED
TECHNOLOGY



Illuminating **Innovation**

LED Lighting Catalogue

wef. Apr 2017



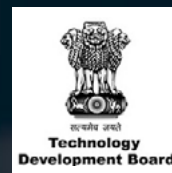
Company Profile

Maiestas Luminaries is situated in the first Smart City of India in making, Bhubaneswar, Odisha. The company was incorporated on 26th day of February 2014 by a technocrat, Mr. Sruti Kanta Mishra, with a dream to illuminate each and every corner of India with customized and affordable lightings.

The division presently deals with area lightings, Indoor commercial lightings, Industrial lightings and façade lightings segment. The division's strength lies in the R&D wing which is headed by the CMD himself. The dedicated R&D team rolls out all the possible solutions to a customer's desired requirement. Till now because of our quality in products and services we have a client base in varied diversified industries like Steel, Power, Research and Education industries within this short span of operation.

At Maiestas the team is committed to provide the customer with the best on demand products with a value for money pricing. Being the first of its kind of manufacturing unit in Odisha the company is all set to flag off the Make in India campaign of our Honorable Prime Minister. Unlike others Maiestas Luminaries uses the technique of "Need Analysis" of the customer's lighting requirements depending upon various parameters. So in short the customer gets what he wants for the price in which he wants."That is what we call as lighting redefined"

We are Supported by



A glowing lightbulb is the central focus, positioned in the lower right quadrant. It is illuminated from within, casting a warm, golden glow. The background is dark, with a blurred light source in the upper left, creating a bokeh effect. The text "Redefining Lighting !" is centered horizontally, flanked by two horizontal lines, one green and one blue.

Redefining Lighting !

What is LED ?

LED Stands for “Light-Emitting Diode”. An LED is a miniature electronic device made of semi-conductor material that emits light when an electrical current is passed through it.

Inside the semiconductor material of the LED, the electrons and holes are contained within energy bands. The separation of the bands (i.e. the band gap) determines the energy of the photons (light particles) that are emitted by the LED.

The photon energy determines the wavelength of the emitted light and hence its colour. Different semiconductor materials with different band-gaps produce different colours of light. The precise wavelength (colour) can be tuned by altering the composition of the light-emitting or active region.

Common LED colours include amber, red, green, and blue. To get white light, for lighting our homes and offices, different colour LEDs are mixed or covered with a phosphor material that converts the colour of the light.



Why LED ?

Energy Efficient

LED lights are up to 80% more efficient than traditional lighting such as fluorescent and incandescent lights. 95% of the energy in LEDs is converted into light and only 5% is wasted as heat. This is compared to fluorescent lights which convert 95% of energy to heat and only 5% into light! So, roughly it's 80% more efficient than CFLs and up to 800% more efficient than filament lamps. LED lights also draw much less power than traditional lighting; a typical 84 watt fluorescent can be replaced by a 36 watt LED to give the same level of light. Less energy use reduces the demand from power plants and decreases greenhouse gas emissions.

Environment - Friendly

LED lights contain no toxic elements. Most offices currently use fluorescent strip lights which contain noxious chemicals such as mercury. This will contaminate the environment when disposed of in landfill waste. Disposal has to be arranged through a registered waste carrier so switching to LED avoids the cost and time implications required for compliant disposal – and helps to protect the environment from further toxic waste.

Better Lighting

LEDs have a better quality of light distribution and focus light in one direction as opposed to other types of lighting which waste energy by emitting light in all directions, often illuminating areas where light isn't required (such as the ceiling). This means that less LED lights are needed to achieve the same level of brightness given off by fluorescents and incandescent lights. Fewer lights will reduce energy consumption and will therefore be a benefit to the environment.

Longer Life span

A longer life span means lower carbon emissions. LED Lights last up to six times longer than other types of lights, reducing the requirement for frequent replacements. This results in using fewer lights and hence fewer resources are needed for manufacturing processes, packaging materials and transportation.





**MAIESTAS
LUMINARIES**
Lighting Redefined



Why **Maiestas Luminaries** ?

The company is committed to provide the customer with the best on demand products with a value for money, pricing. Being the first of its kind of manufacturing unit in Odisha the company is all set to flag off the Make in India campaign of our Honorable Prime Minister. Every LED Light from Maiestas Luminaries has been thoroughly tested and assured that , it gives you what we promise for. Better lighting, crafted to designs, better life span and more importantly efficient use of power to give you savings year-on-year.

Indoor

Lighting Catalogue



Indoor Lighting Catalogue

Ambience matters a lot when it comes to moods and feelings of an individual. Let it be taking an important decision in the board rooms, an anniversary celebration at a Hotel, Buying a new car or a pair of new jeans, the atmosphere actually matters a lot. And lighting of the place plays a very vital role in creating such an environment which gives you that positive or negative vibe. At Maestas Luminaries we understand your needs and according to that we have a wide variety of Indoor efficient lightings solutions for Hospitality, Retail, Office, Home decor and many more.



LED

AQUILA Light Series

Square



AQUILA

Square



AQUILA Family

Product Features :

- Replacement for conventional lighting.
- No flickering. Instantly starts. No humming noise
- Die-Cast aluminium/ polycarbonate/ ABS material for heat dissipation
- Sharp design with easy installation
- Ergonomic design to suit various aesthetic requirements.
- High quality diffuser with transmittance upto 90%
- No harmful UV/IR radiations
- Mercury free

Model No	Power Consumption	CCT	Luminous Flux	CRI	Voltage Range	Life Span	Cut Out Size (mm)
AQSQ6	6w	2300-6300K	600lm	> 80	140-280 V AC	>56,000hrs	Φ 86
AQSQ9	9w	2300-6300K	900lm	> 80	140-280 V AC	>56,000hrs	Φ 86
AQSQ16	16w	2300-6300K	1600lm	> 80	140-280 V AC	>56,000hrs	Φ 110
AQSQ24	24w	2300-6300K	2400lm	> 80	140-280 V AC	>56,000hrs	Φ 132
AQSQ30	30w	2300-6300K	3000lm	> 80	140-280 V AC	>56,000hrs	Φ 154
AQSQ36	36w	2300-6300K	3600lm	> 80	140-280 V AC	>56,000hrs	Φ154



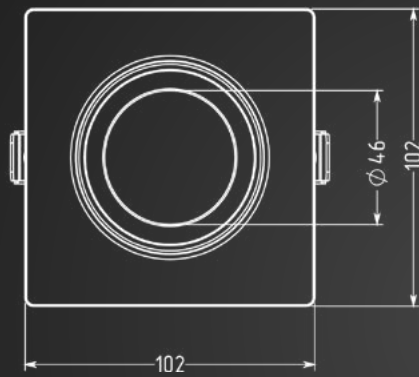
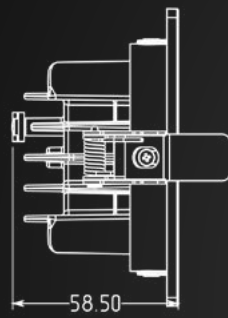
IDEAS
INNOVATIONS
KNOWLEDGE
GLOBE



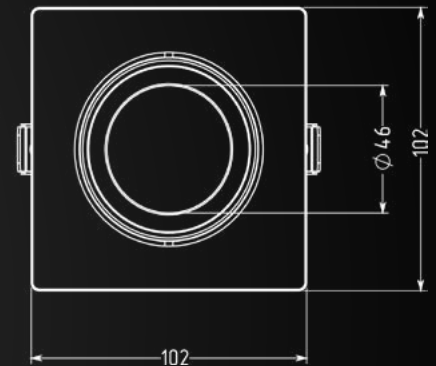
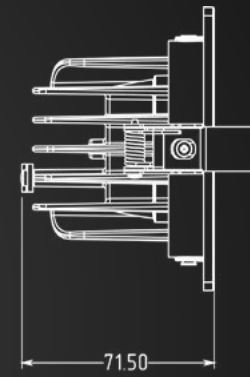
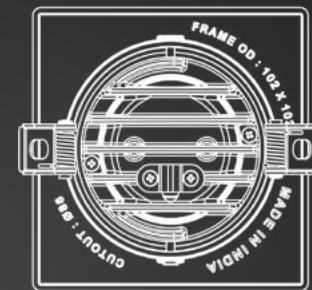


AQUILA

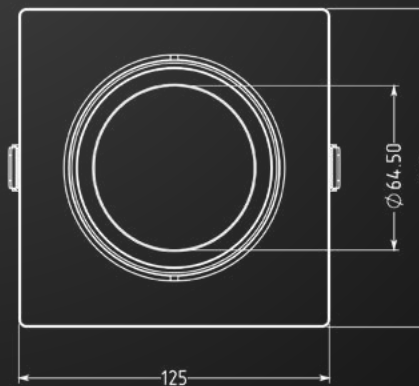
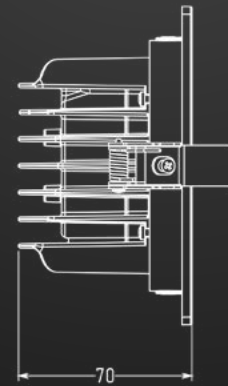
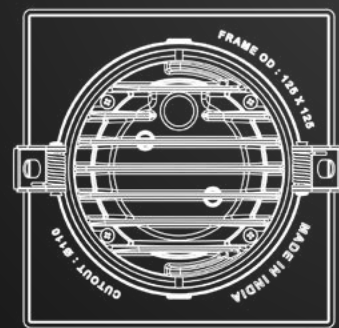
Square



(6W)



(9W)



(16W)



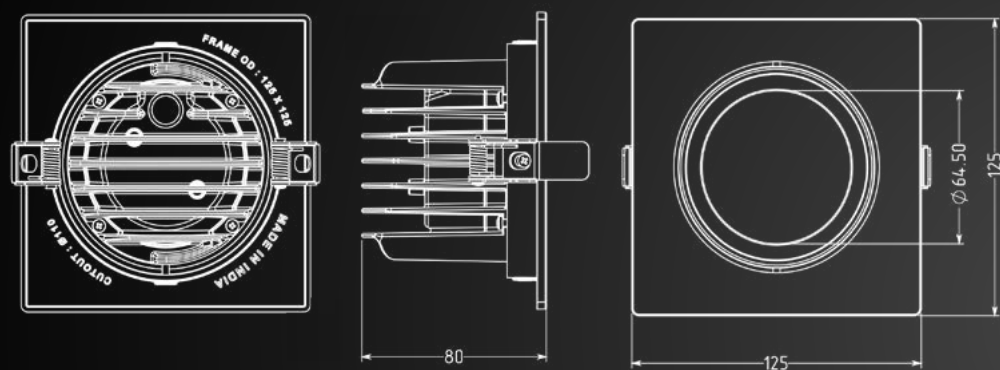
**MAIESTAS
LUMINARIES**
Lighting Redefined



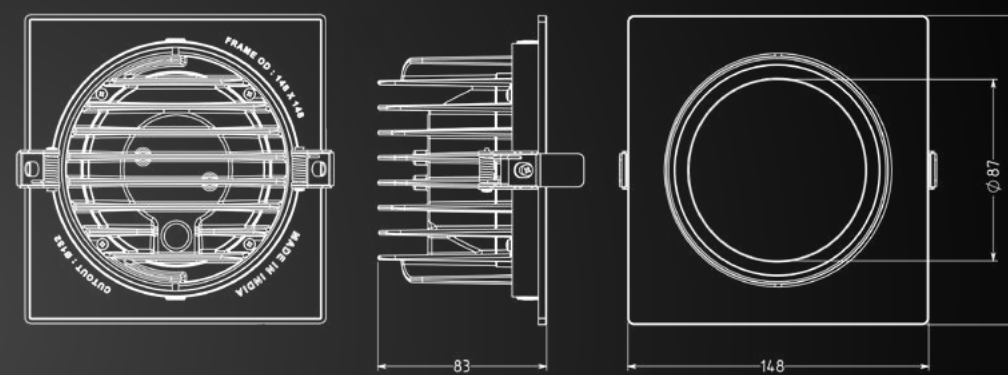


AQUILA

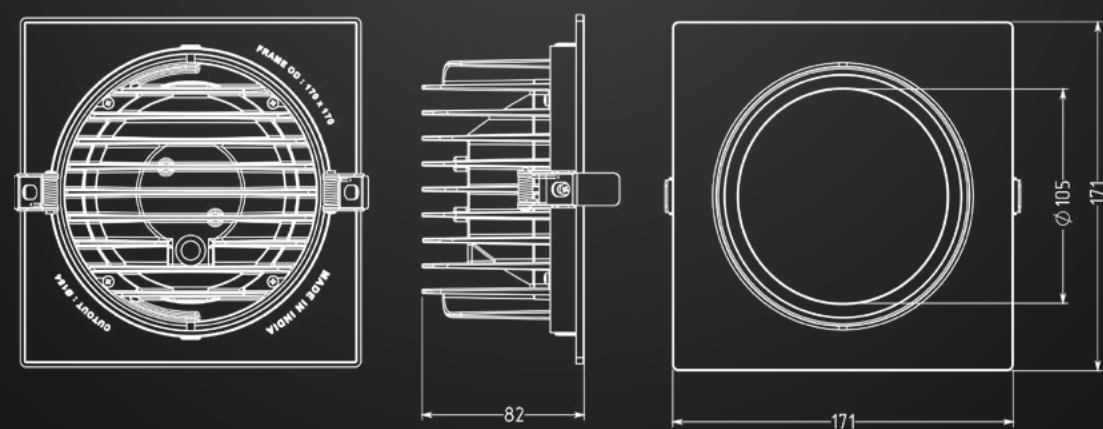
Square



(24W)



(30W)



(36W)



**MAIESTAS
LUMINARIES**
Lighting Redefined



AQUILA Light Series

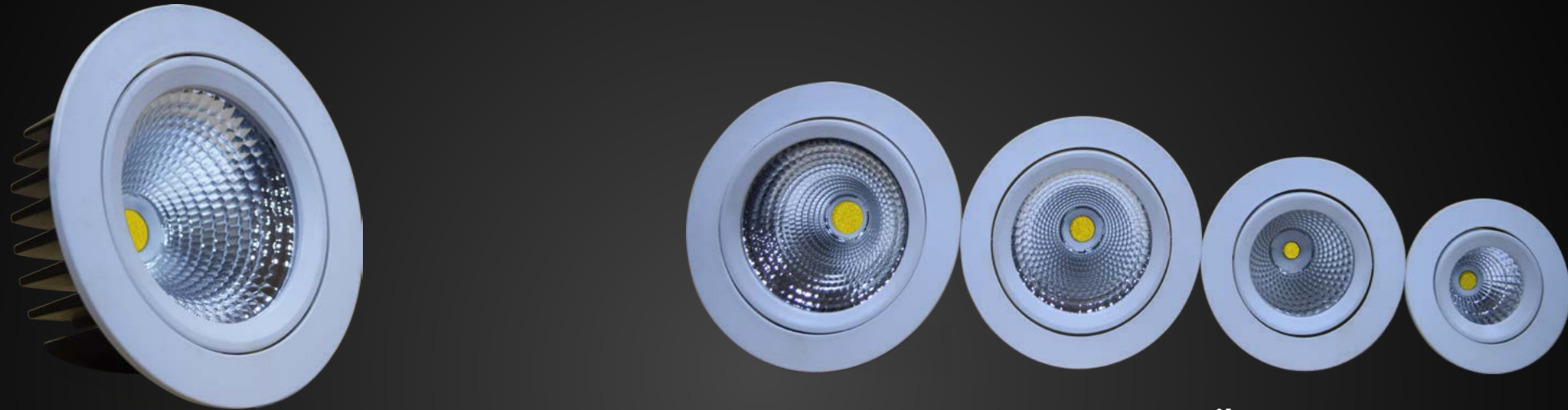
Round





AQUILA

Round



AQUILA Family

Product Features :

- Replacement for conventional lighting.
- No flickering. Instantly starts. No humming noise
- Die-Cast aluminium/ polycarbonate/ ABS material for heat dissipation
- Sharp design with easy installation
- Ergonomic design to suit various aesthetic requirements.
- High quality diffuser with transmittance upto 90%
- No harmful UV/IR radiations
- Mercury free

Model No	Power Consumption	CCT	Luminous Flux	CRI	Voltage Range	Life Span	Cut Out Size (mm)
AQRO6	6w	2300-6300K	600lm	> 80	140-280 V AC	>56,000hrs	Φ 86
AQRO9	9w	2300-6300K	900lm	> 80	140-280 V AC	>56,000hrs	Φ 86
AQRO16	16w	2300-6300K	1600lm	> 80	140-280 V AC	>56,000hrs	Φ 110
AQRO24	24w	2300-6300K	2400lm	> 80	140-280 V AC	>56,000hrs	Φ 132
AQRO30	30w	2300-6300K	3000lm	> 80	140-280 V AC	>56,000hrs	Φ 154
AQRO36	36w	2300-6300K	3600lm	> 80	140-280 V AC	>56,000hrs	Φ154



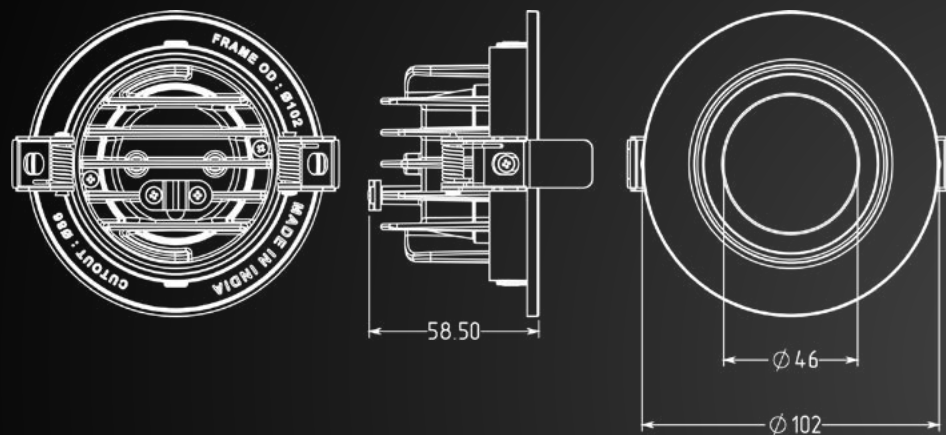
MAIESTAS
LUMINARIES
Lighting Redefined



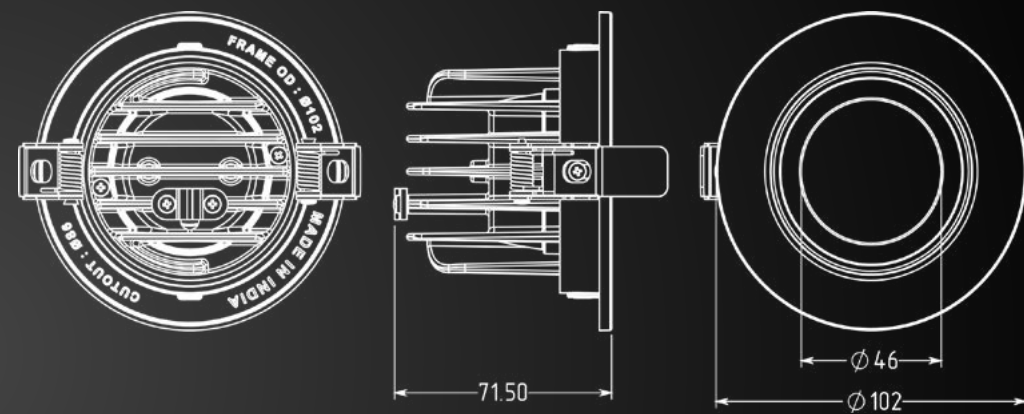


AQUILA

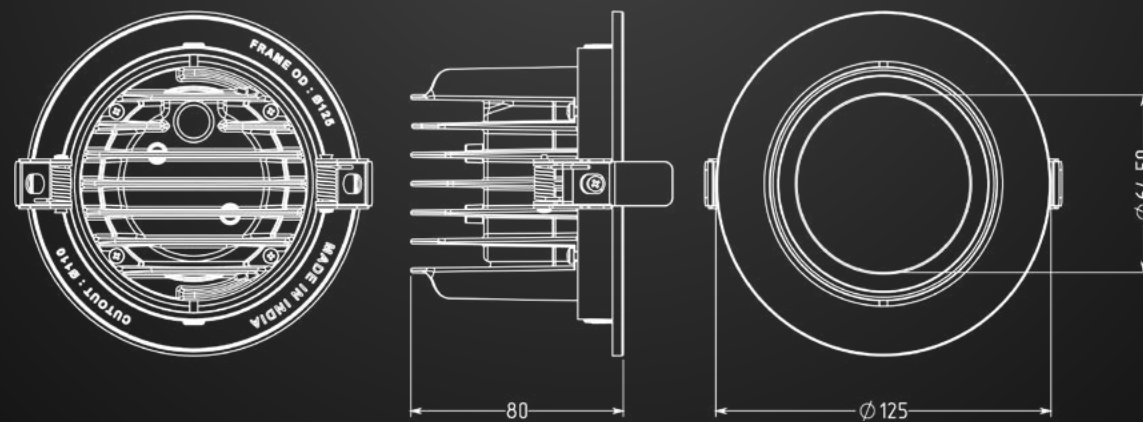
Round



(6W)



(9W)



(16W)



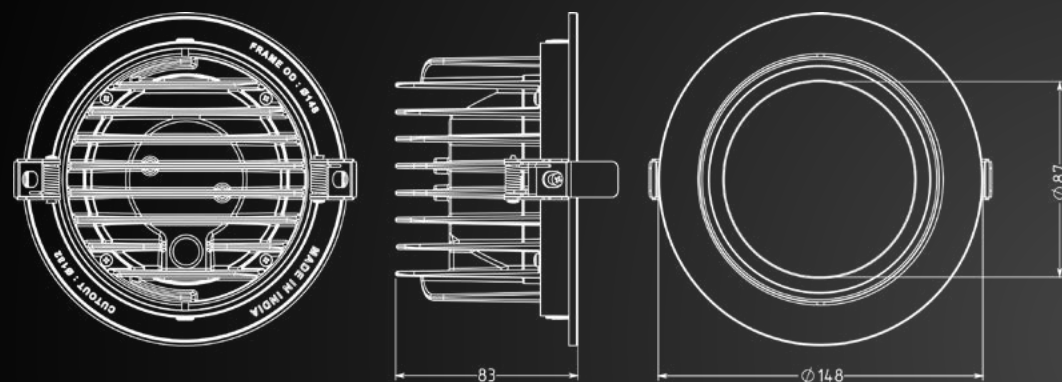
**MAIESTAS
LUMINARIES**
Lighting Redefined



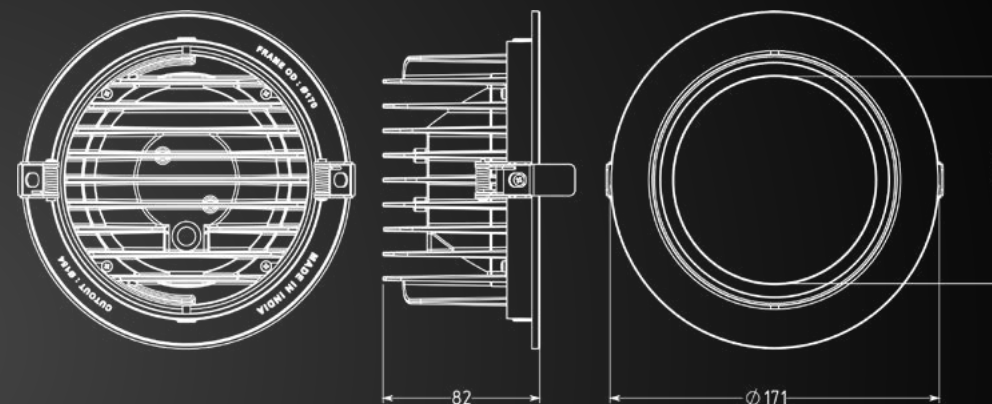


AQUILA

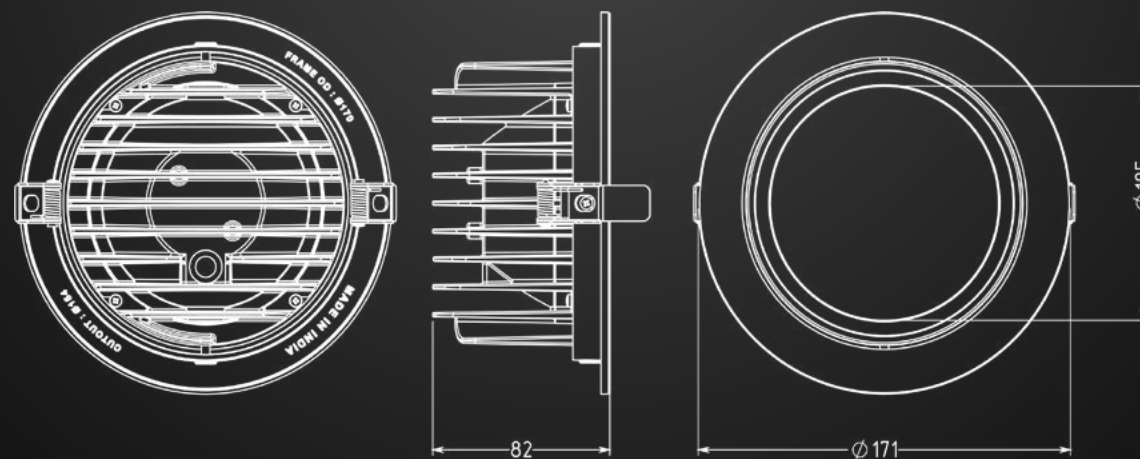
Round



(24W)



(30W)



(36W)



**MAIESTAS
LUMINARIES**
Lighting Redefined



LED
APUS Light Series





APUS



APUS Family

Product Features :

- Replacement for conventional lighting.
- No flickering. Instantly starts. No humming noise
- Die-Cast aluminium/ polycarbonate/ ABS material for heat dissipation
- Sharp design with easy installation
- Ergonomic design to suit various aesthetic requirements.
- High quality diffuser with transmittance upto 90%
- No harmful UV/IR radiations
- Mercury free

Model No	Power Consumption	CCT	Luminous Flux	CRI	Voltage Range	Life Span	Cut Out Size (mm)
AUSQ4	4w	2300-6300K	400lm	> 80	140-280 V AC	>56,000hrs	85 X 85
AUSQ6	6w	2300-6300K	600lm	> 80	140-280 V AC	>56,000hrs	95 X 95
AUSQ18	18w	2300-6300K	1800lm	> 80	140-280 V AC	>56,000hrs	145 X 145
AUSQ24	24w	2300-6300K	2400lm	> 80	140-280 V AC	>56,000hrs	175 X 175

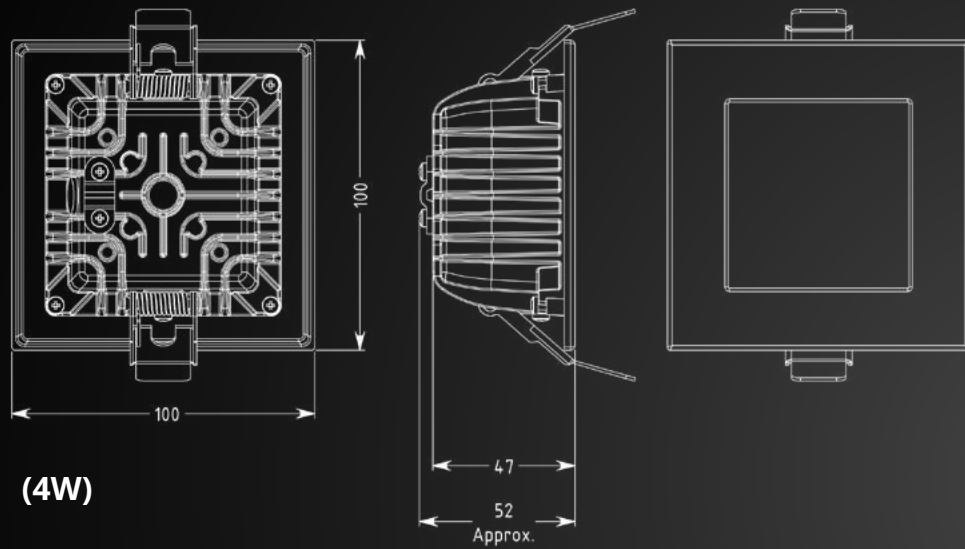


**MAIESTAS
LUMINARIES**
Lighting Redefined

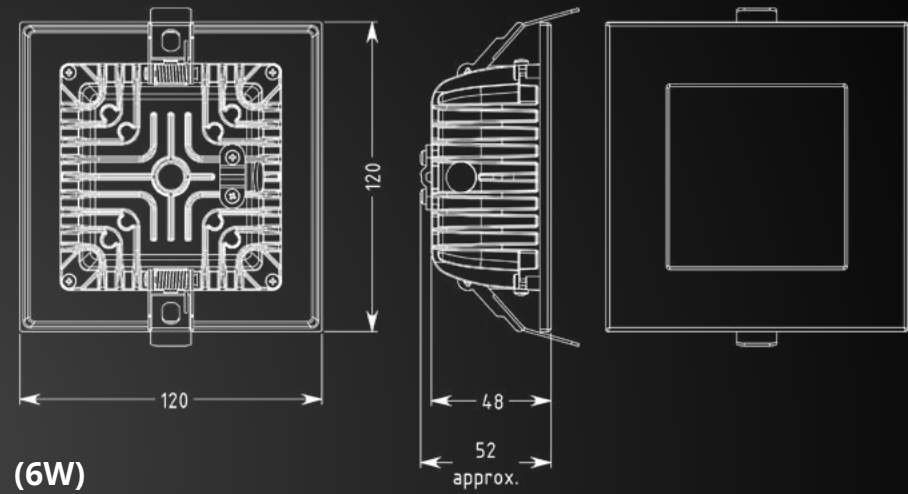


GENUINE
EXCELLENCE
INNOVATION
FIVE IN
OLVED

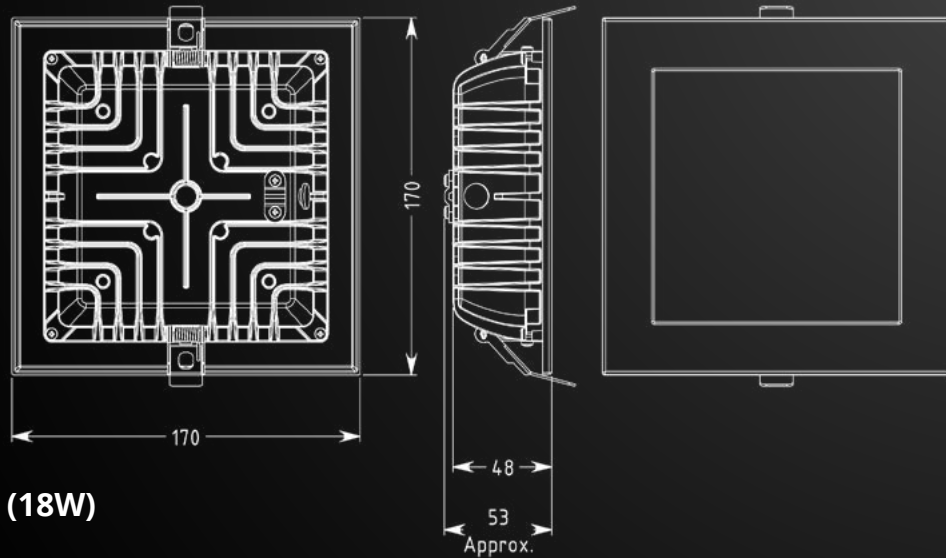
APUS



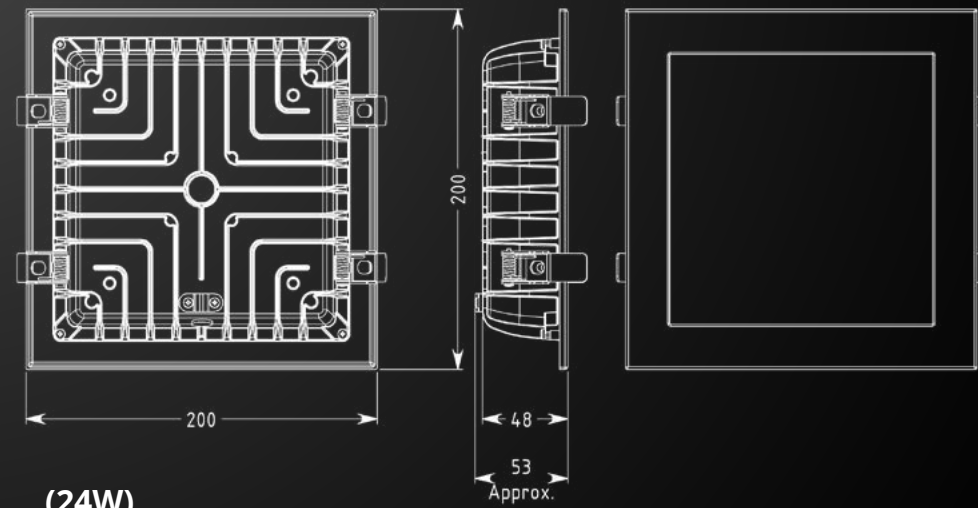
(4W)



(6W)



(18W)



(24W)



MAIESTAS
LUMINARIES
Lighting Redefined

LED

AURIGA Light Series



AURIGA



Product Features :

- Replacement for conventional lighting.
- No flickering. Instantly starts. No humming noise
- Die-Cast aluminium/ polycarbonate/ ABS material for heat dissipation
- Sharp design with easy installation
- Ergonomic design to suit various aesthetic requirements.
- High quality diffuser with transmittance upto 90%
- No harmful UV/IR radiations
- Mercury free

AURIGA Family

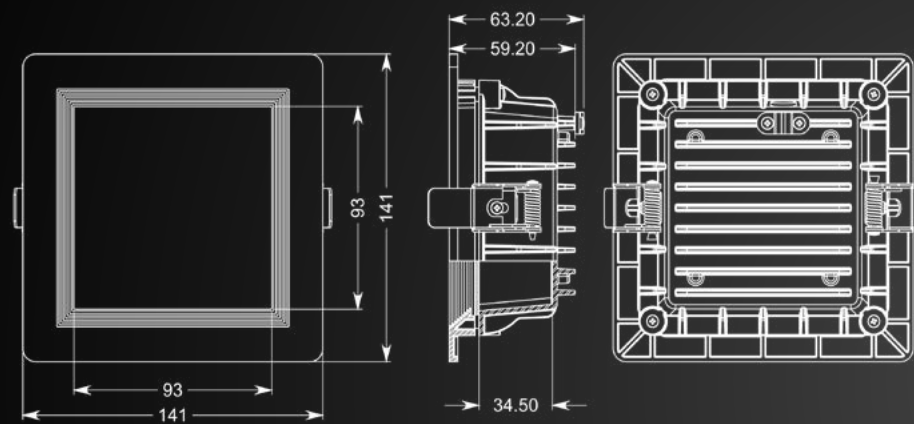
Model No	Power Consumption	CCT	Luminous Flux	CRI	Voltage Range	Life Span	Cut Out Size (mm)
ARSQ8	8w	2300-6300K	800lm	> 80	140-280 V AC	>56,000hrs	120 X 120
ARSQ15	15w	2300-6300K	1500lm	> 80	140-280 V AC	>56,000hrs	140 X 140
ARSQ22	22w	2300-6300K	2200lm	> 80	140-280 V AC	>56,000hrs	170 X 170



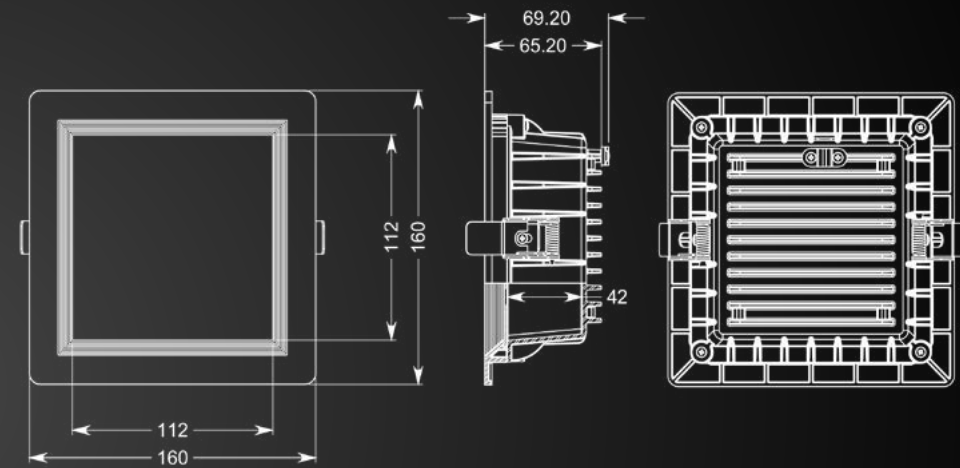
**MAIESTAS
LUMINARIES**
Lighting Redefined



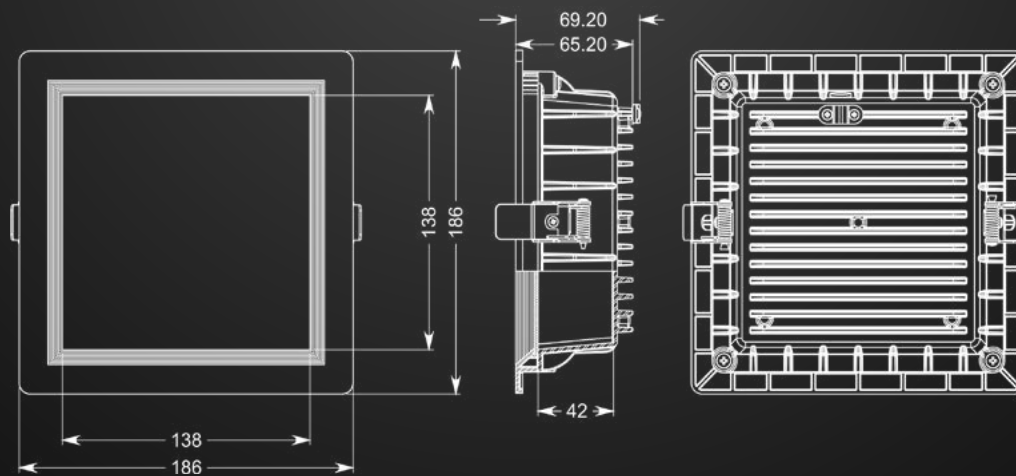
AURIGA



(8W)



(15W)



(22W)



MAIESTAS
LUMINARIES
Lighting Redefined

LED
CRUX Light Series





CRUX



CRUX Family

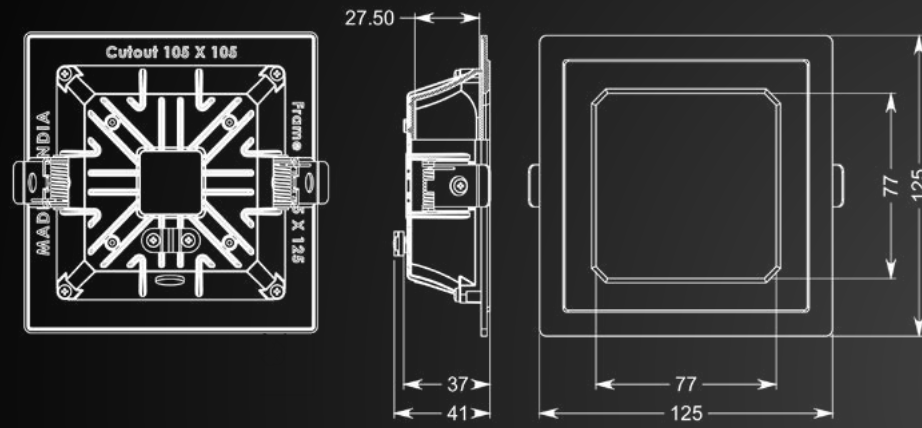
Product Features :

- Replacement for conventional lighting.
- No flickering. Instantly starts. No humming noise
- Die-Cast aluminium/ polycarbonate/ ABS material for heat dissipation
- Sharp design with easy installation
- Ergonomic design to suit various aesthetic requirements.
- High quality diffuser with transmittance upto 90%
- No harmful UV/IR radiations
- Mercury free

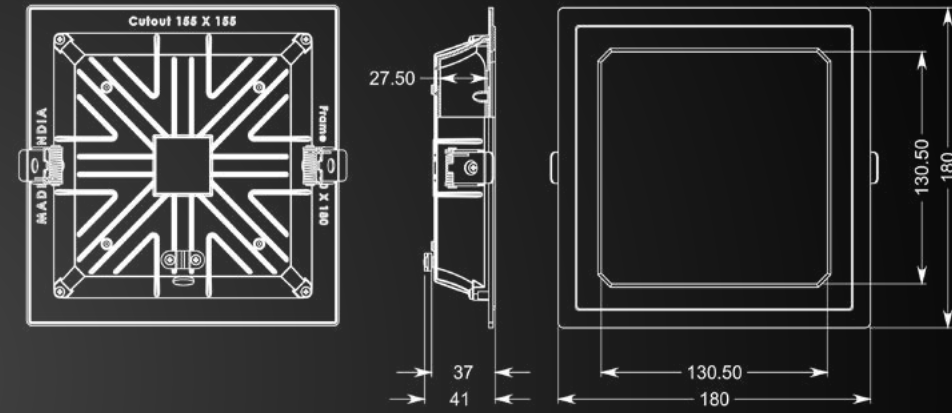
Model No	Power Consumption	CCT	Luminous Flux	CRI	Voltage Range	Life Span	Cut Out Size (mm)
CUSQ8	8w	2300-6300K	800lm	> 80	140-280 V AC	>56,000hrs	105 X 105
CUSQ15	15w	2300-6300K	1500lm	> 80	140-280 V AC	>56,000hrs	155 X 155
CUSQ22	22w	2300-6300K	2200lm	> 80	140-280 V AC	>56,000hrs	185 X 185



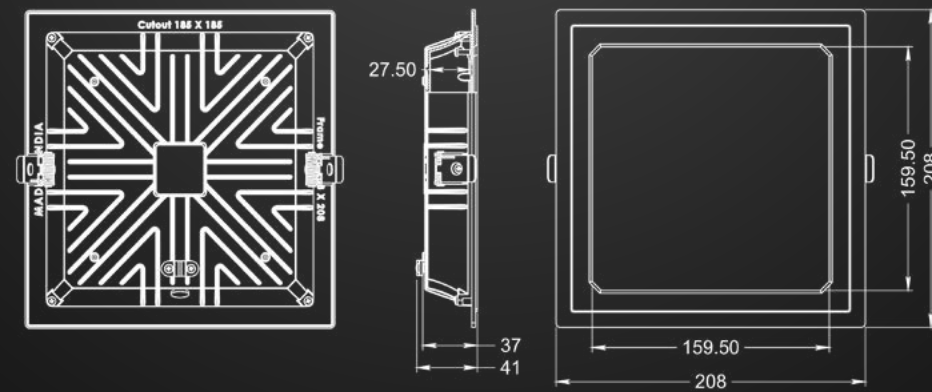
CRUX



(8W)



(15W)



(22W)

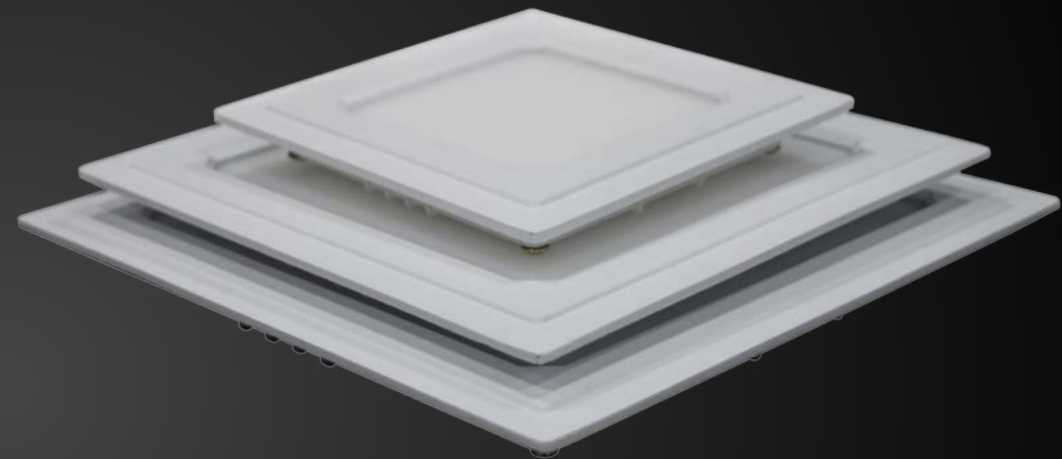


LED

CYGNUS Light Series



CYGNUS



CYGNUS Family

Product Features :

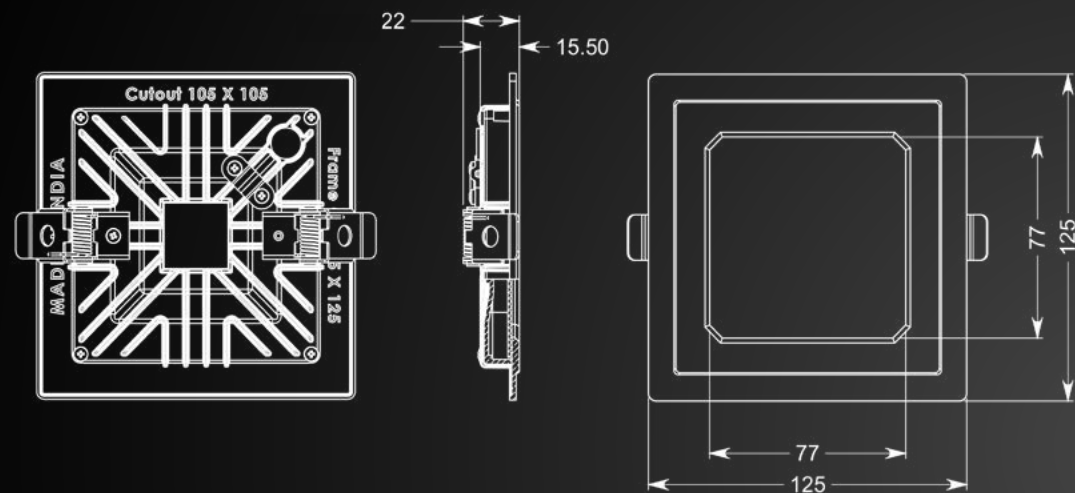
- Replacement for conventional lighting.
- No flickering. Instantly starts. No humming noise
- Die-Cast aluminium/ polycarbonate/ ABS material for heat dissipation
- Sharp design with easy installation
- Ergonomic design to suit various aesthetic requirements.
- High quality diffuser with transmittance upto 90%
- No harmful UV/IR radiations
- Mercury free

Model No	Power Consumption	CCT	Luminous Flux	CRI	Voltage Range	Life Span	Cut Out Size (mm)
CGSQ8	8w	2300-6300K	800lm	> 80	140-280 V AC	>56,000hrs	105 X 105
CGSQ15	15w	2300-6300K	1500lm	> 80	140-280 V AC	>56,000hrs	155 X 155
CGSQ22	22w	2300-6300K	2200lm	> 80	140-280 V AC	>56,000hrs	185 X 185

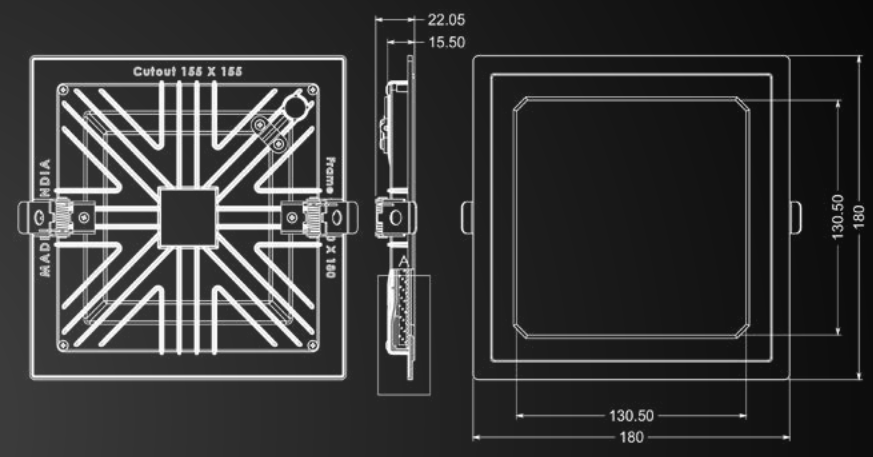




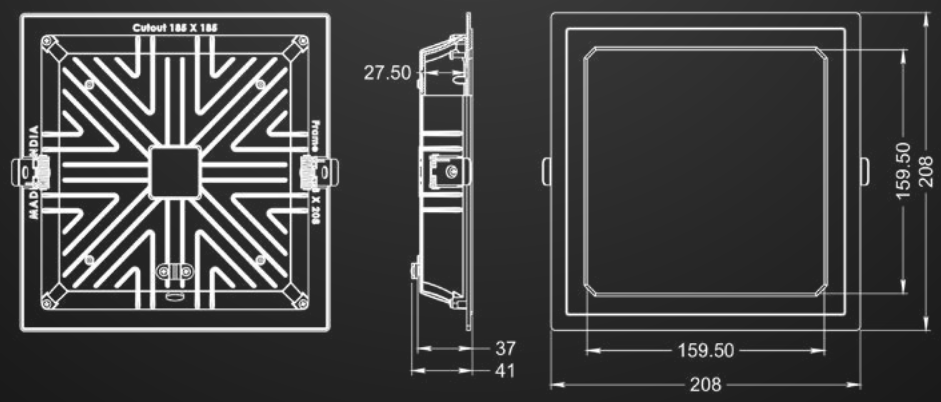
CYGNUS



(8W)



(15W)



(22W)



**MAIESTAS
LUMINARIES**
Lighting Redefined

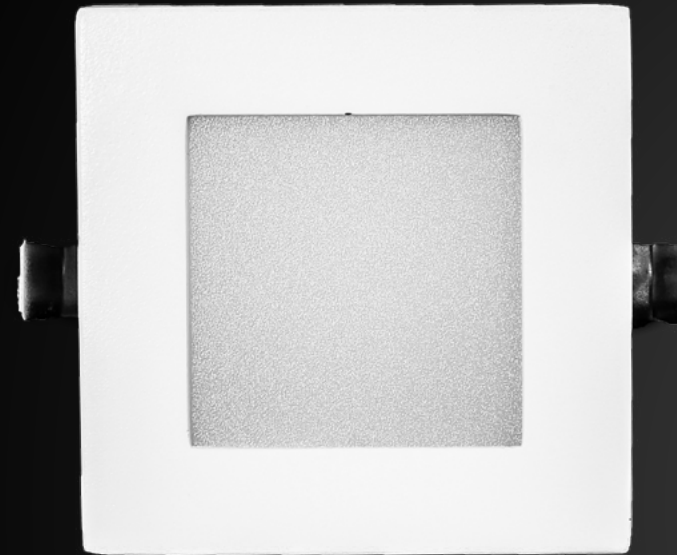


LED
PAVO Light Series





PAVO



PAVO Family

Product Features :

- Replacement for conventional lighting.
- No flickering. Instantly starts. No humming noise
- Die-Cast aluminium/ polycarbonate/ ABS material for heat dissipation
- Sharp design with easy installation
- Ergonomic design to suit various aesthetic requirements.
- High quality diffuser with transmittance upto 90%
- No harmful UV/IR radiations
- Mercury free

Model No	Power Consumption	CCT	Luminous Flux	CRI	Voltage Range	Life Span	Cut Out Size (mm)
PVSQ4	4w	2300-6300K	400lm	> 80	140-280 V AC	>56,000hrs	85 X 85
PVSQ6	6w	2300-6300K	600lm	> 80	140-280 V AC	>56,000hrs	95 X 95
PVSQ11	11w	2300-6300K	1100lm	> 80	140-280 V AC	>56,000hrs	125 X 125
PVSQ18	18w	2300-6300K	1800lm	> 80	140-280 V AC	>56,000hrs	145 X 145
PVSQ24	24w	2300-6300K	2400lm	> 80	140-280 V AC	>56,000hrs	175 X 175
PVSQ30	30w	2300-6300K	3000lm	> 80	140-280 V AC	>56,000hrs	215 X 215

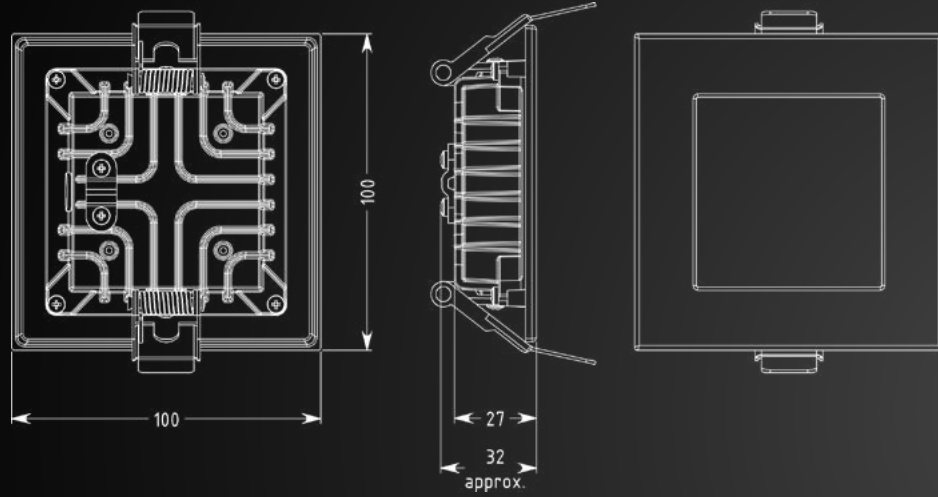


**MAIESTAS
LUMINARIES**
Lighting Redefined

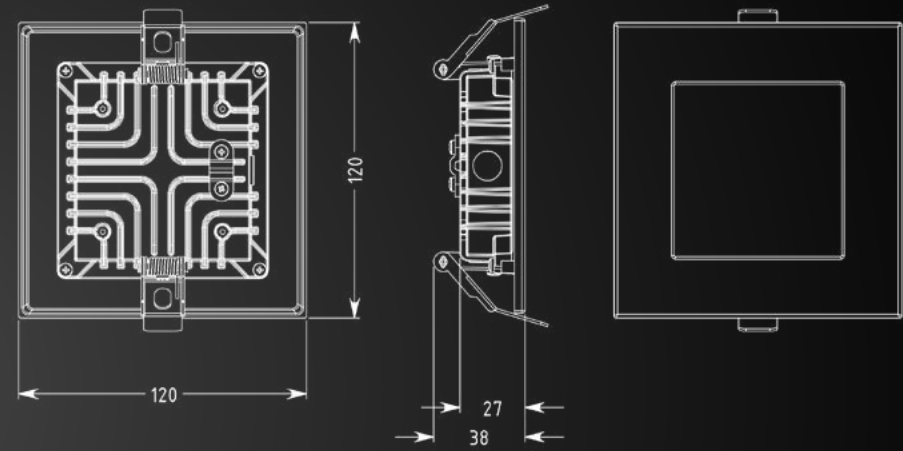




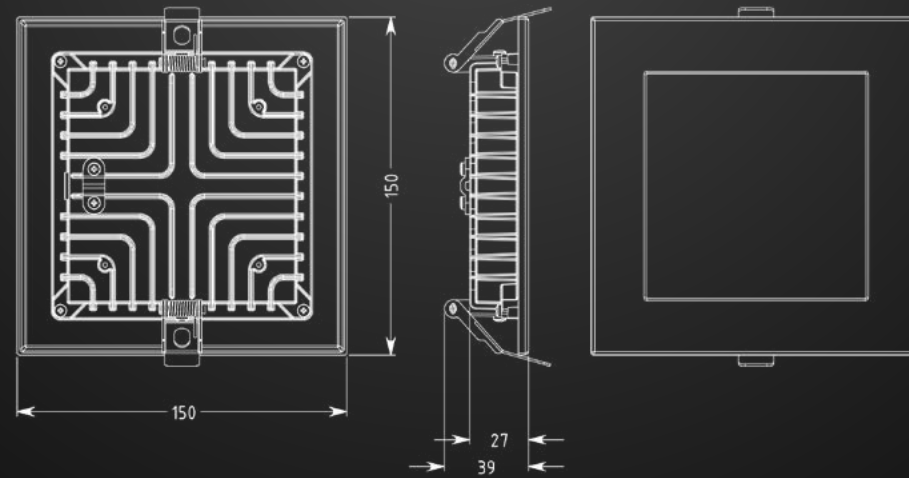
PAVO



(4W)



(6W)



(11W)

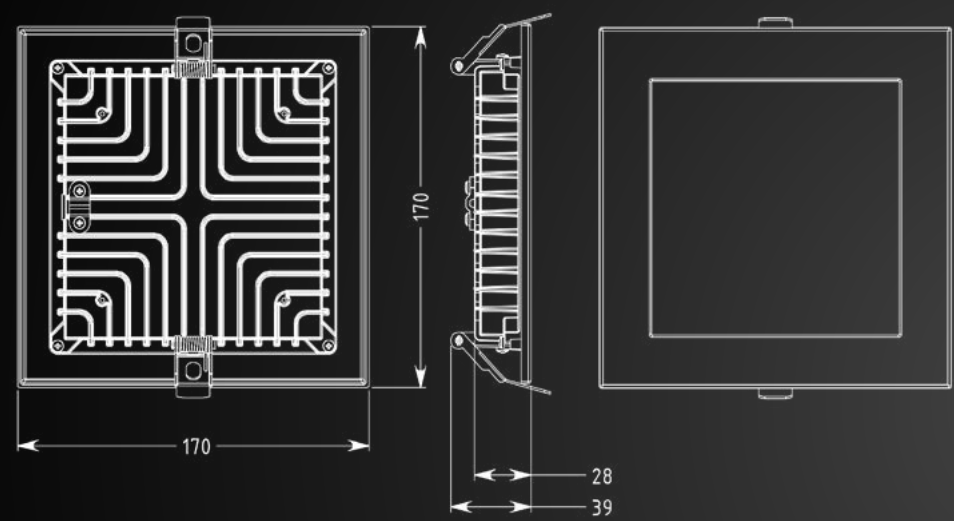


**MAIESTAS
LUMINARIES**
Lighting Redefined

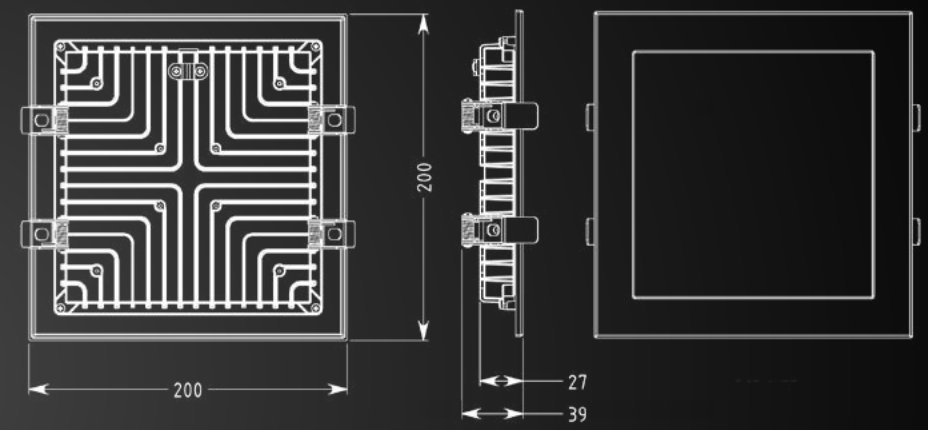




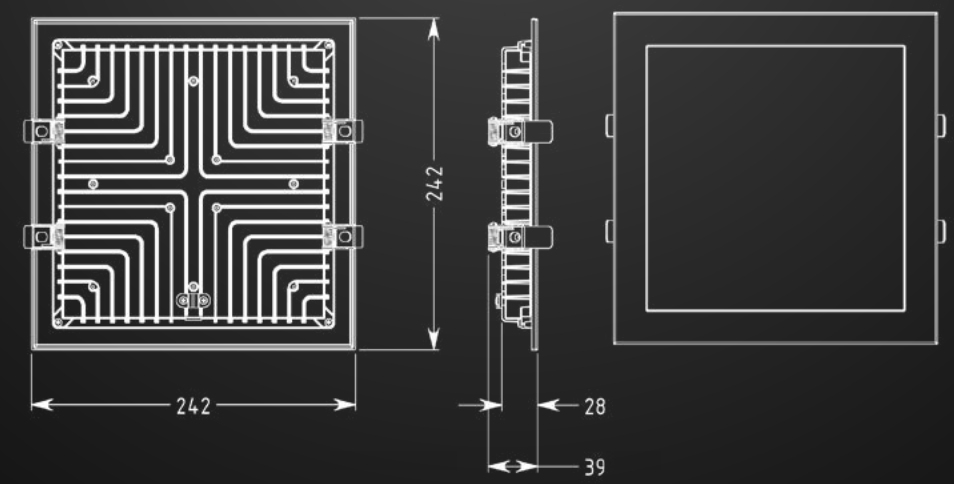
PAVO



(18W)



(24W)



(30W)

LED

VIRGO Light Series



VIRGO



VIRGO Family

Product Features :

- Replacement for conventional lighting.
- No flickering. Instantly starts. No humming noise
- Die-Cast aluminium/ polycarbonate/ ABS material for heat dissipation
- Sharp design with easy installation
- Ergonomic design to suit various aesthetic requirements.
- High quality diffuser with transmittance upto 90%
- No harmful UV/IR radiations
- Mercury free

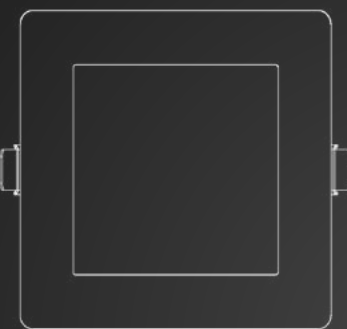
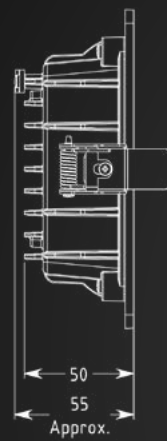
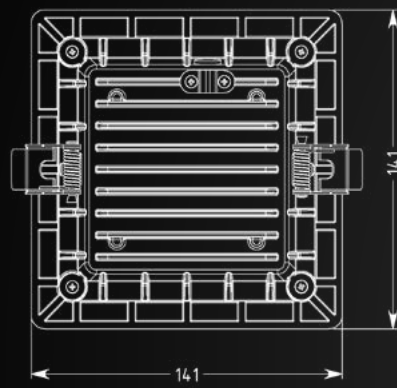
Model No	Power Consumption	CCT	Luminous Flux	CRI	Voltage Range	Life Span	Cut Out Size (mm)
VRSQ8	8w	2300-6300K	800lm	> 80	140-280 V AC	>56,000hrs	120 X 120
VRSQ15	15w	2300-6300K	1500lm	> 80	140-280 V AC	>56,000hrs	140 X 140
VRSQ22	22w	2300-6300K	2200lm	> 80	140-280 V AC	>56,000hrs	170 X 170



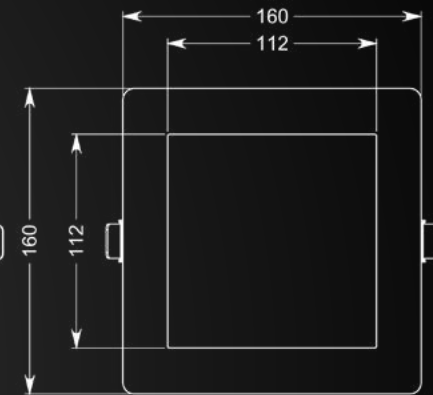
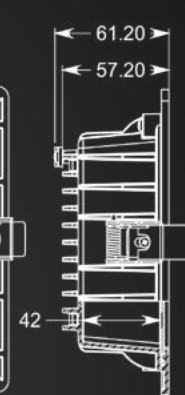
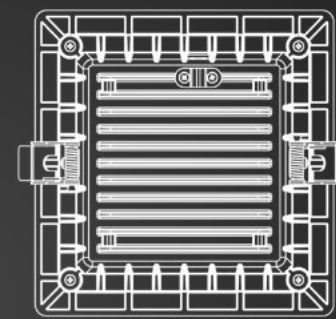
**MAIESTAS
LUMINARIES**
Lighting Redefined



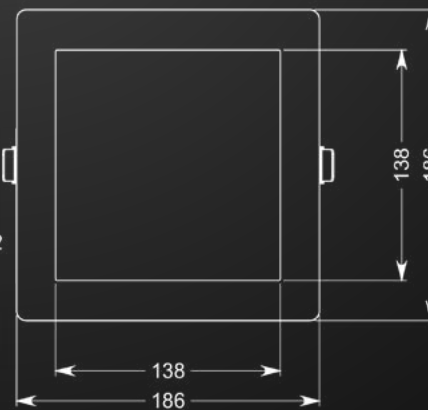
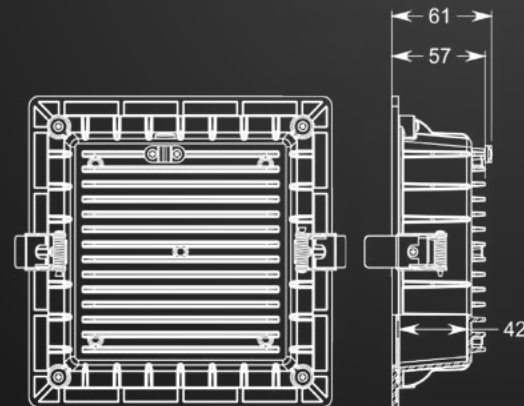
VIRGO



(8W)



(15W)



(22W)



LED
CARINA Light Series





CARINA



CARINA Family

Product Features :

- Replacement for conventional lighting.
- No flickering. Instantly starts. No humming noise
- Die-Cast aluminium/ polycarbonate/ ABS material for heat dissipation
- Sharp design with easy installation
- Ergonomic design to suit various aesthetic requirements.
- High quality diffuser with transmittance upto 90%
- No harmful UV/IR radiations
- Mercury free

Model No	Power Consumption	CCT	Luminous Flux	CRI	Voltage Range	Life Span	Cut Out Size (mm)
CRRO4	4w	2300-6300K	400lm	> 80	140-280 V AC	>56,000hrs	Φ 85
CRRO6	6w	2300-6300K	600lm	> 80	140-280 V AC	>56,000hrs	Φ 95
CRRO11	11w	2300-6300K	1100lm	> 80	140-280 V AC	>56,000hrs	Φ 120
CRRO18	18w	2300-6300K	1800lm	> 80	140-280 V AC	>56,000hrs	Φ 145
CRRO24	24w	2300-6300K	2400lm	> 80	140-280 V AC	>56,000hrs	Φ 175

**Casual
Food
Cafeteria**

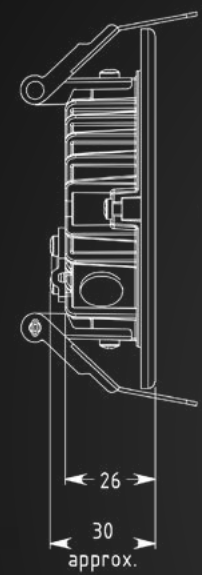
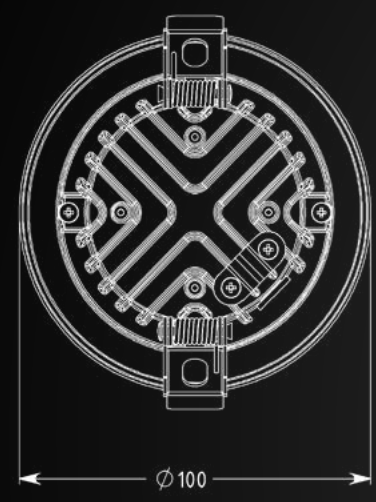
발봉은 시작도 끝도 시작입니다
To be continued

무과 추가반찬은
SELF
입니다

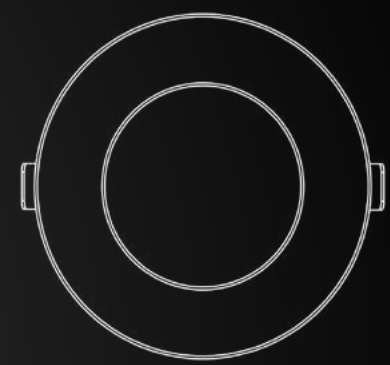
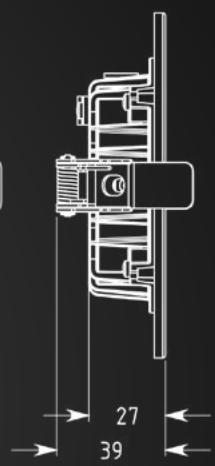
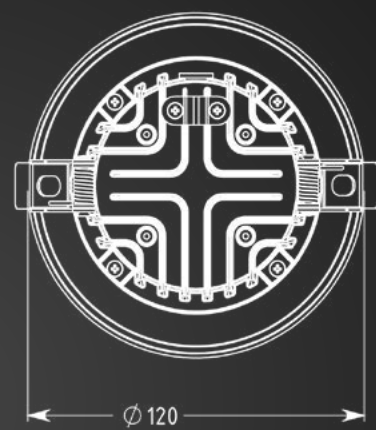




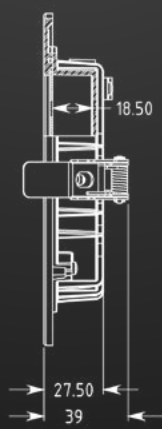
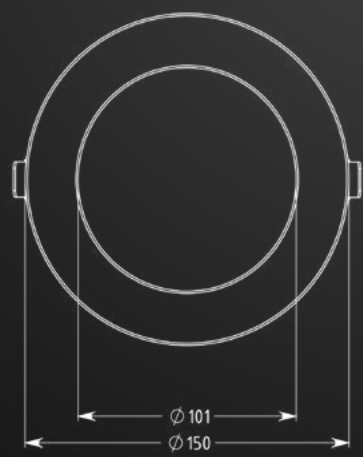
CARINA



(4W)



(6W)



(11W)

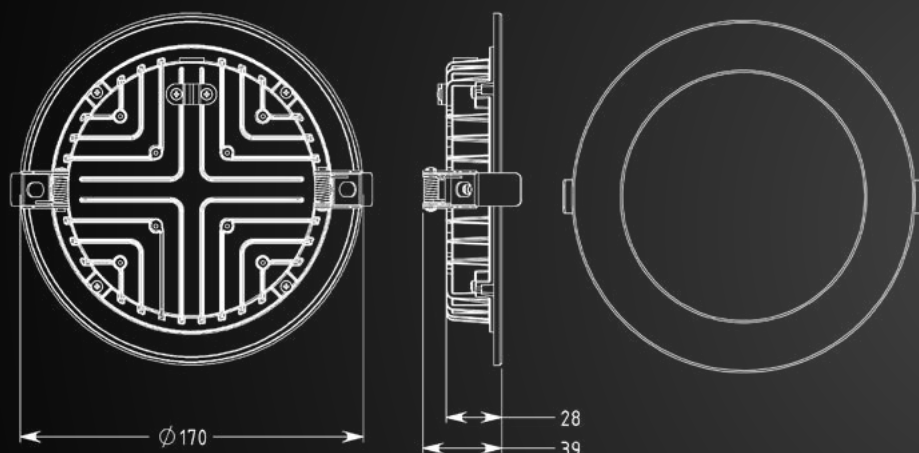


**MAIESTAS
LUMINARIES**
Lighting Redefined

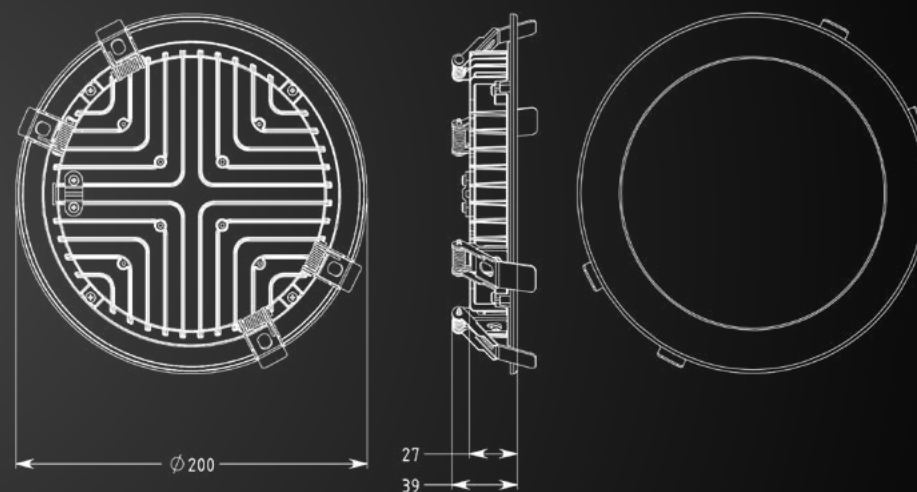




CARINA



(18W)



(24W)



MAIESTAS
LUMINARIES
Lighting Redefined



LED

COLUMBA Light Series



COLUMBA



COLUMBA Family

Product Features :

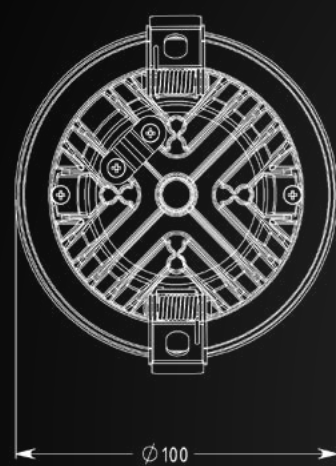
- Replacement for conventional lighting.
- No flickering. Instantly starts. No humming noise
- Die-Cast aluminium/ polycarbonate/ ABS material for heat dissipation
- Sharp design with easy installation
- Ergonomic design to suit various aesthetic requirements.
- High quality diffuser with transmittance upto 90%
- No harmful UV/IR radiations
- Mercury free

Model No	Power Consumption	CCT	Luminous Flux	CRI	Voltage Range	Life Span	Cut Out Size (mm)
CLRO4	4w	2300-6300K	400lm	> 80	140-280 V AC	>56,000hrs	Φ 85
CLRO18	18w	2300-6300K	1800lm	> 80	140-280 V AC	>56,000hrs	Φ 145
CLRO24	24w	2300-6300K	2400lm	> 80	140-280 V AC	>56,000hrs	Φ 175

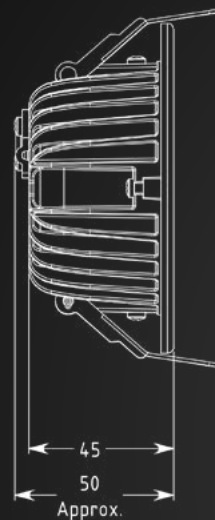




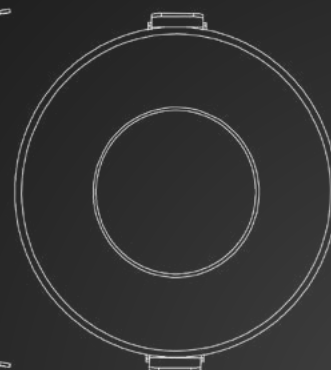
COLUMBA



Ø 100



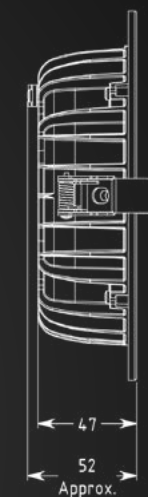
45
50
Approx.



(4W)



Ø 170



47
52
Approx.



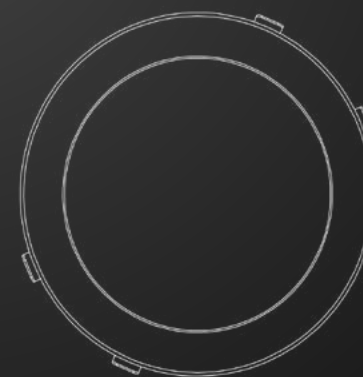
(18W)



Ø 200



47
52
approx.



(24W)



**MAIESTAS
LUMINARIES**
Lighting Redefined

LEO
LEO Light Series



LEO



LEO Family

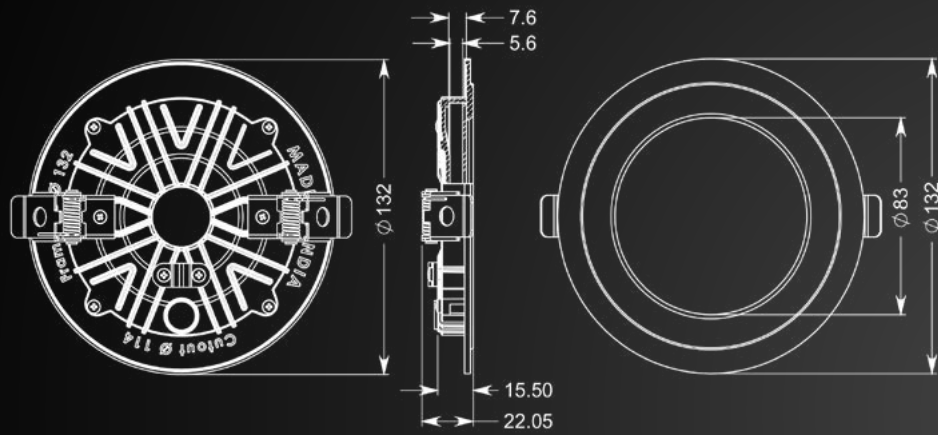
Product Features :

- Replacement for conventional lighting.
- No flickering. Instantly starts. No humming noise
- Die-Cast aluminium/ polycarbonate/ ABS material for heat dissipation
- Sharp design with easy installation
- Ergonomic design to suit various aesthetic requirements.
- High quality diffuser with transmittance upto 90%
- No harmful UV/IR radiations
- Mercury free

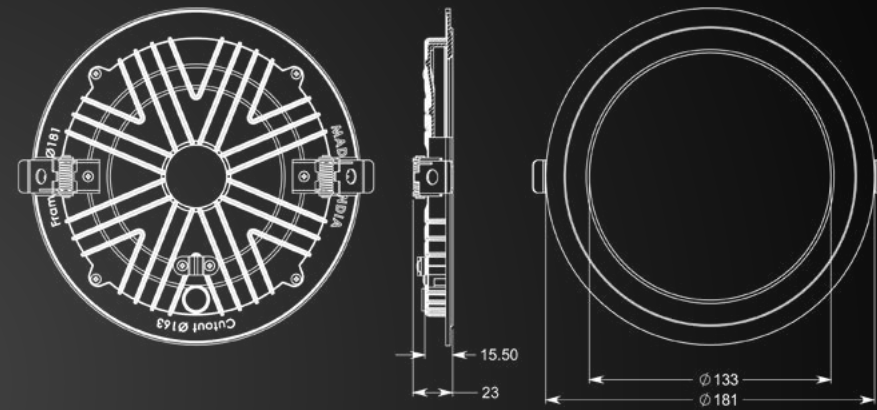
Model No	Power Consumption	CCT	Luminous Flux	CRI	Voltage Range	Life Span	Cut Out Size (mm)
LORO8	8w	2300-6300K	800lm	> 80	140-280 V AC	>56,000hrs	Φ 114
LORO15	15w	2300-6300K	1500lm	> 80	140-280 V AC	>56,000hrs	Φ 163
LORO22	22w	2300-6300K	2200lm	> 80	140-280 V AC	>56,000hrs	Φ 192



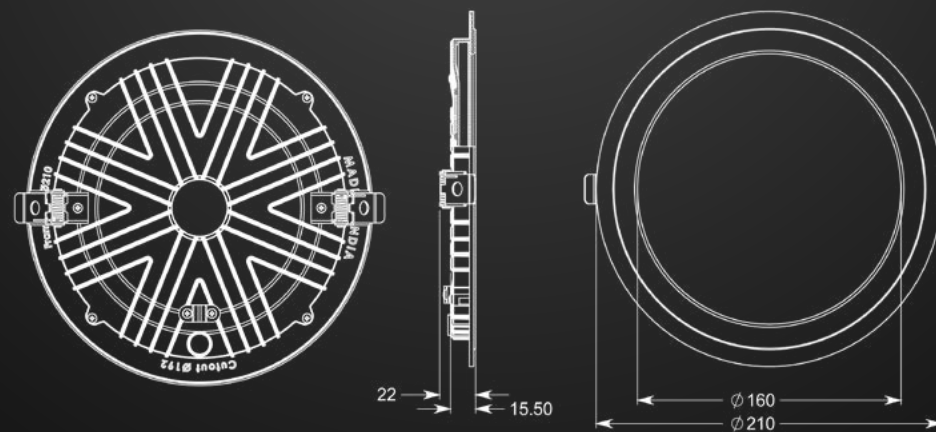
LEO



(8W)



(15W)



(22W)



**MAIESTAS
LUMINARIES**
Lighting Redefined



LED

SCORPIOUS Light Series



SCORPIOUS



SCORPIOUS Family

Product Features :

- Replacement for conventional lighting.
- No flickering. Instantly starts. No humming noise
- Die-Cast aluminium/ polycarbonate/ ABS material for heat dissipation
- Sharp design with easy installation
- Ergonomic design to suit various aesthetic requirements.
- High quality diffuser with transmittance upto 90%
- No harmful UV/IR radiations
- Mercury free

Model No	Power Consumption	CCT	Luminous Flux	CRI	Voltage Range	Life Span	Cut Out Size (mm)
SORO8	8w	2300-6300K	800lm	> 80	140-280 V AC	>56,000hrs	Φ 114
SORO15	15w	2300-6300K	1500lm	> 80	140-280 V AC	>56,000hrs	Φ 163
SORO22	22w	2300-6300K	2200lm	> 80	140-280 V AC	>56,000hrs	Φ 192

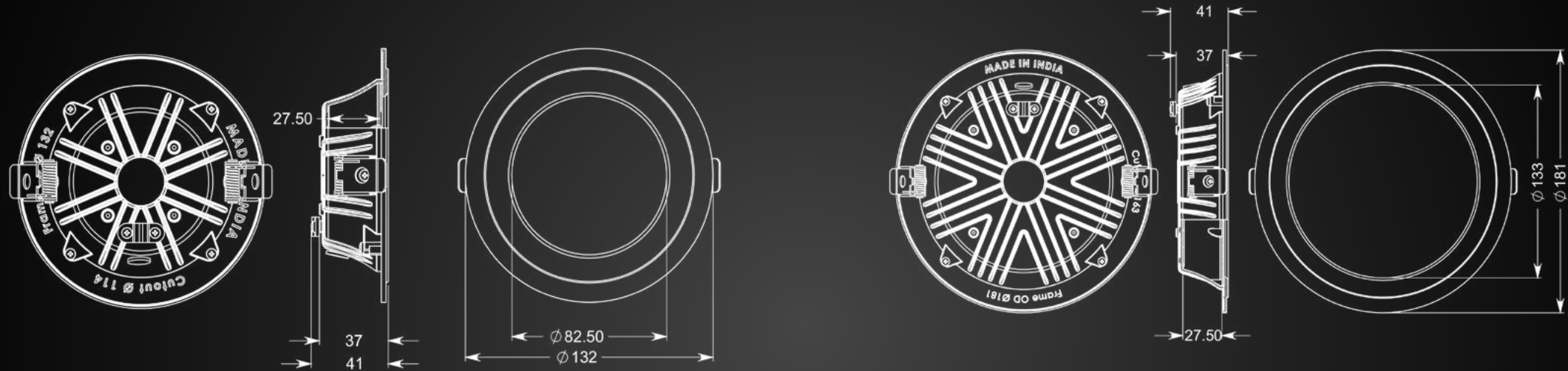


**MAIESTAS
LUMINARIES**
Lighting Redefined



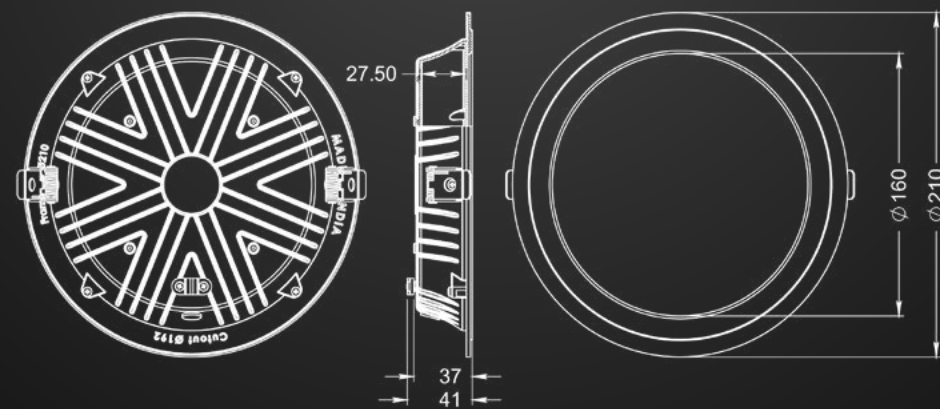


SCORPIOUS



(8W)

(15W)



(22W)



PEGASUS Light Series



PEGASUS



PEGASUS Family

Product Features :

- Replacement for conventional lighting.
- No flickering. Instantly starts. No humming noise
- Die-Cast aluminium/ polycarbonate/ ABS material for heat dissipation
- Sharp design with easy installation
- Ergonomic design to suit various aesthetic requirements.
- High quality diffuser with transmittance upto 90%
- No harmful UV/IR radiations
- Mercury free

Model No	Power Consumption	CCT	Luminous Flux	CRI	Voltage Range	Life Span	Cut Out Size (mm)
PGSQ18	18w	2300-6300K	1800lm	> 80	140-280 V AC	>56,000hrs	NA
PGSQ30	30w	2300-6300K	3000lm	> 80	140-280 V AC	>56,000hrs	NA
PGSQ48	48w	2300-6300K	4800lm	> 80	140-280 V AC	>56,000hrs	NA

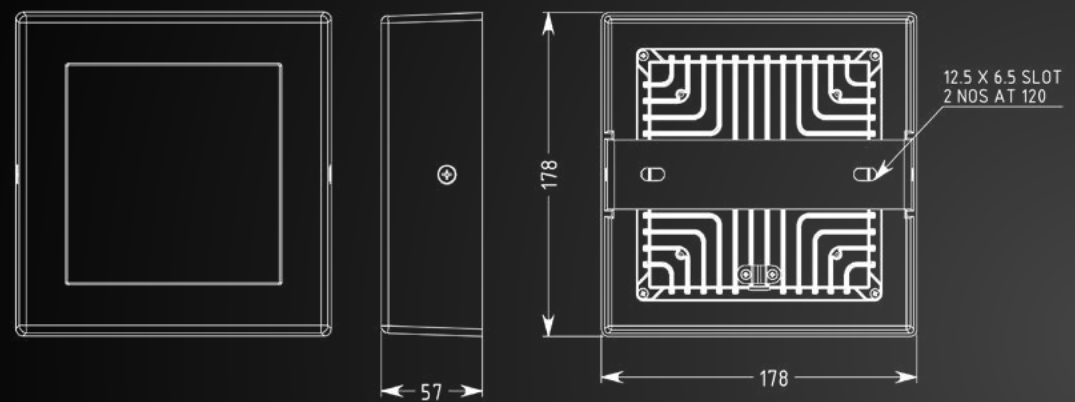


MAIESTAS
LUMINARIES
Lighting Redefined

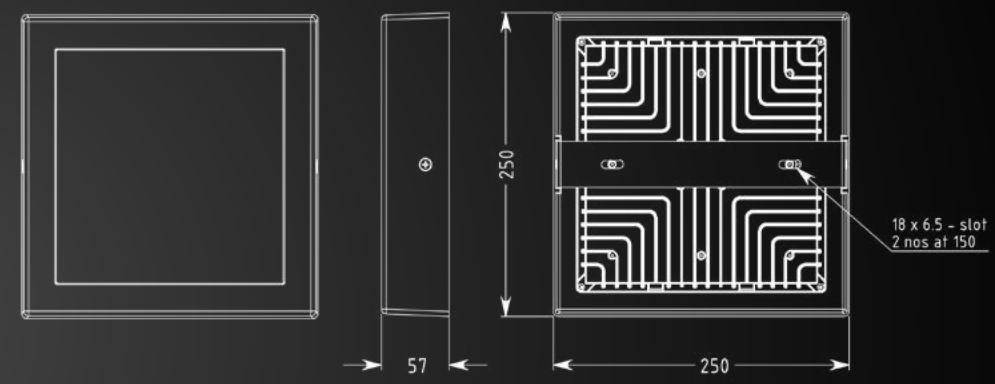




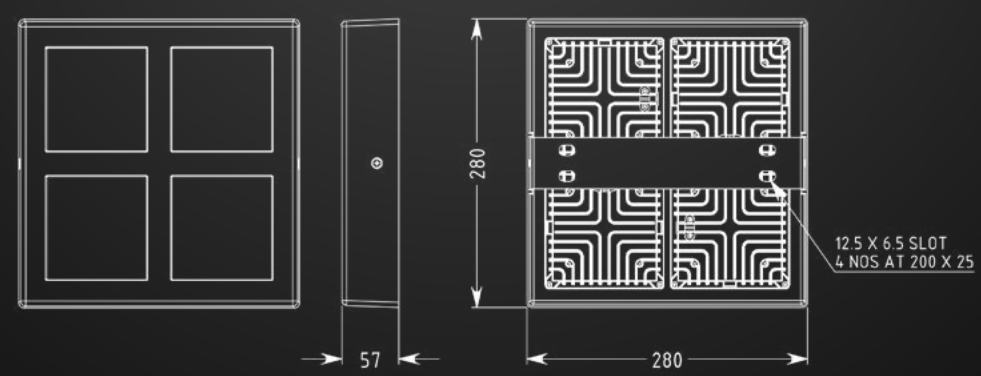
PEGASUS



(18W)



(30W)



(48W)



**MAIESTAS
LUMINARIES**
Lighting Redefined

LED

TAURUS Light Series



TAURUS



TAURUS Family

Product Features :

- Replacement for conventional lighting.
- No flickering. Instantly starts. No humming noise
- Die-Cast aluminium/ polycarbonate/ ABS material for heat dissipation
- Sharp design with easy installation
- Ergonomic design to suit various aesthetic requirements.
- High quality diffuser with transmittance upto 90%
- No harmful UV/IR radiations
- Mercury free

Model No	Power Consumption	CCT	Luminous Flux	CRI	Voltage Range	Life Span	Cut Out Size (mm)
TURO6	6w	2300-6300K	600lm	> 80	140-280 V AC	>56,000hrs	NA
TURO12	12w	2300-6300K	1200lm	> 80	140-280 V AC	>56,000hrs	NA
TURO18	18w	2300-6300K	1800lm	> 80	140-280 V AC	>56,000hrs	NA
TURO24	24w	2300-6300K	2400lm	> 80	140-280 V AC	>56,000hrs	NA

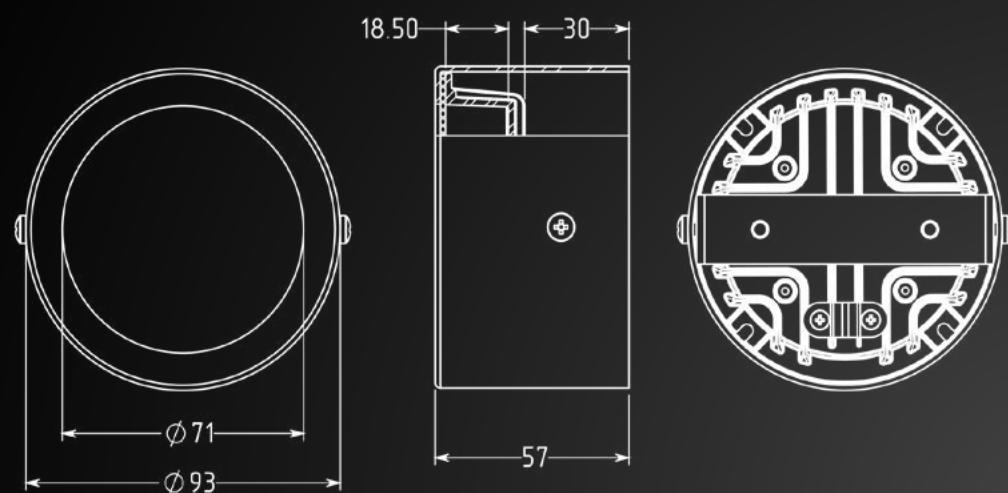


**MAIESTAS
LUMINARIES**
Lighting Redefined

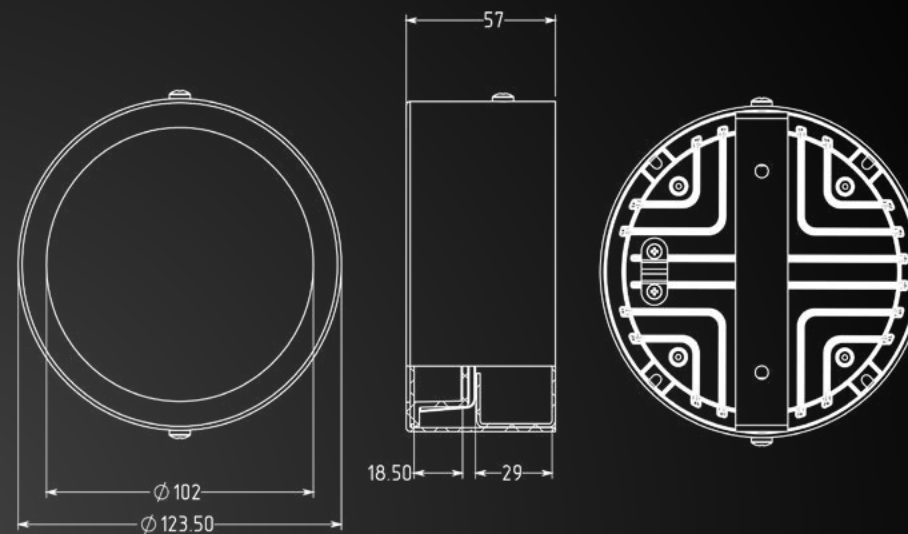




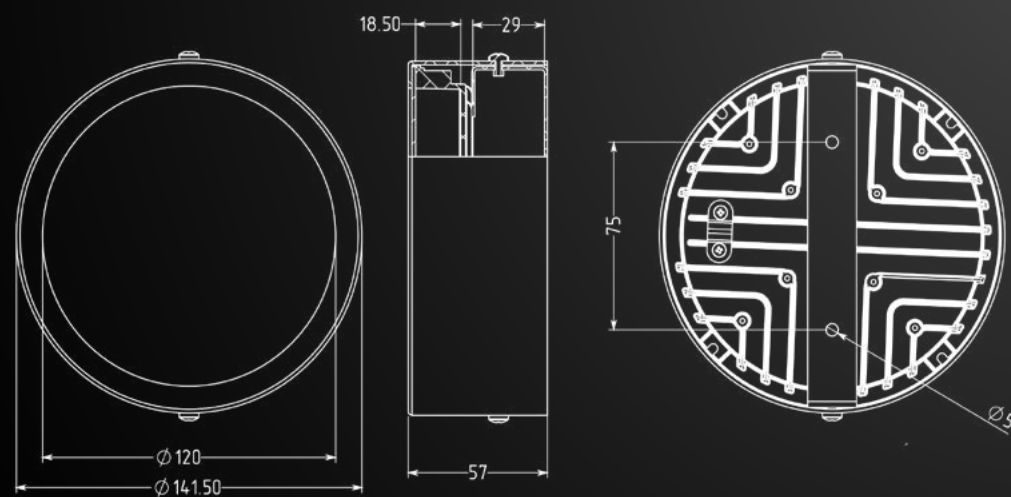
TAURUS



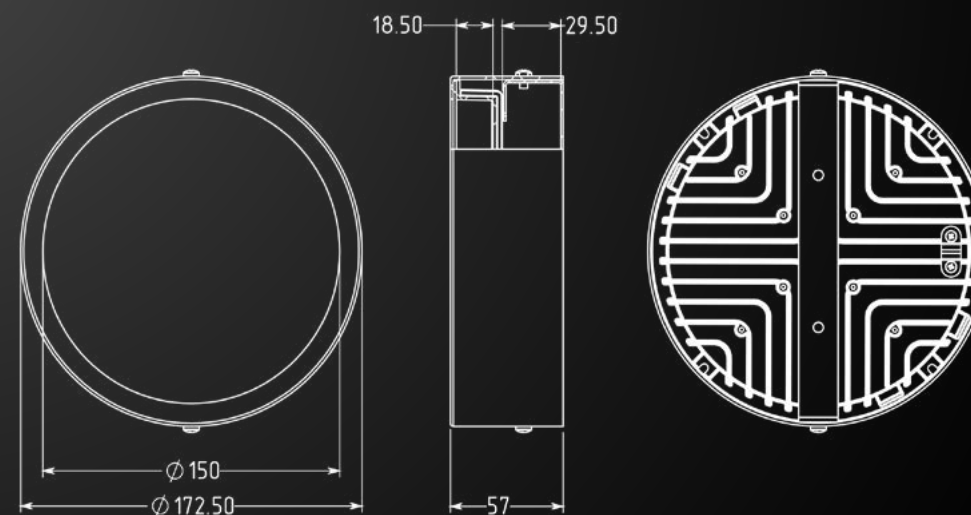
(6W)



(12W)



(18W)



(24W)

Outdoor Lighting Catalogue



Outdoor Lighting Catalogue

Industrial and Outdoor LED lighting, from our high bay LED luminaires, offers a safe, durable, and cost effective lighting solution that exceeds expectations. Superior beam uniformity, coupled with a high performance, will provide optimal long-term lighting for Industrial facility, site lighting options for commercial and residential complexes, grounds, campuses, shopping malls and other such larger dimensions and aesthetic lightings for hotels, restaurants and gardens . In addition to the added benefits of clear lighting in the workplace, LED lights offer a low cost, money saving way to cut back on your factory's energy bills. Special or Industries Specific LED has a wide selection of LED luminaires fixtures that are energy efficient, water repellent, resistant to humidity and Explosion Proof lights (Hazard Location Lighting and Intrinsically Safe Lights). So let it be a petrochemical company, a retail, an aerospace , a warehouse or any other space our lights are customized enough to withstand the given environment .





**MAIESTAS
LUMINARIES**
Lighting Redefined



PHOENIX Light Series



PHOENIX



Phoenix Family

Product Features :

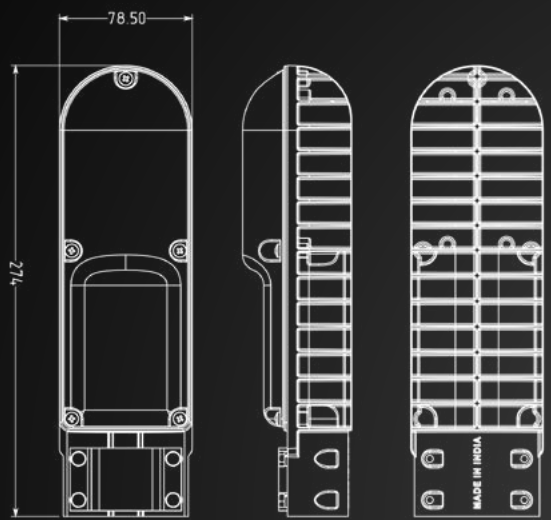
- Replacement for conventional HID Street Light
- High Power LEDs for better lighting
- Aesthetically designed pressure die-cast aluminium body
- Designed for better light distribution
- Optimum surge protection

Model No	Power Consumption	CCT	Luminous Flux	CRI	Voltage Range	Life Span
POSLS20	20w	2300-6300K	2000lm	> 80	140-280 V AC	>56,000hrs
POSLS30	30w	2300-6300K	3000lm	> 80	140-280 V AC	>56,000hrs
POSLS40	40w	2300-6300K	4000lm	> 80	140-280 V AC	>56,000hrs
POSLS60	60w	2300-6300K	6000lm	> 80	140-280 V AC	>56,000hrs

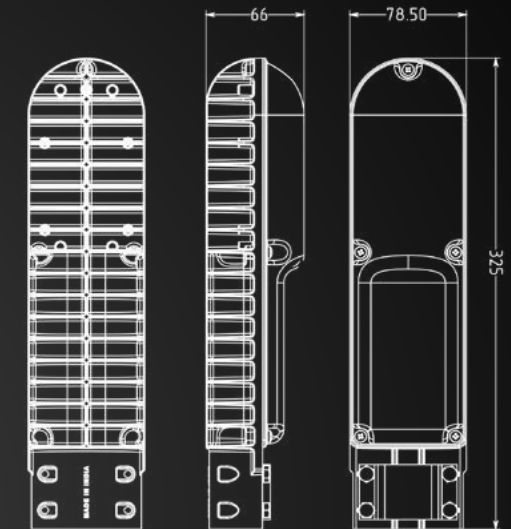




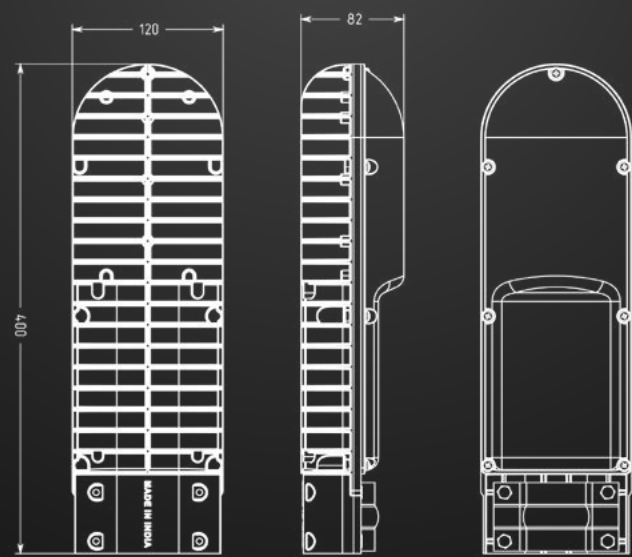
PHOENIX



(20W)



(30W)



(40W / 60W)



**LED
DRACO Light Series**





DRACO



Product Features :

- Replacement for conventional HID Street Light
- High Power LEDs for better lighting
- Aesthetically designed pressure die-cast aluminium body
- Designed for better light distribution
- Optimum surge protection
- High Quality toughened glass

Model No	Power Consumption	CCT	Luminous Flux	CRI	Voltage Range	Life Span
DASLS60	60w	2300-6300K	6000lm	> 80	140-280 V AC	>56,000hrs
DASLS72	72w	2300-6300K	7200lm	> 80	140-280 V AC	>56,000hrs
DASL90	90w	2300-6300K	9000lm	> 80	140-280 V AC	>56,000hrs
DASL120	120w	2300-6300K	12000lm	> 80	140-280 V AC	>56,000hrs

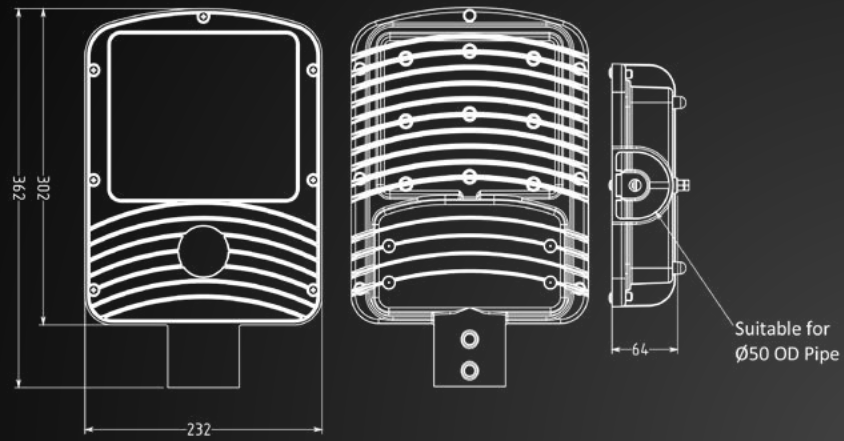


MAIESTAS
LUMINARIES
Lighting Redefined

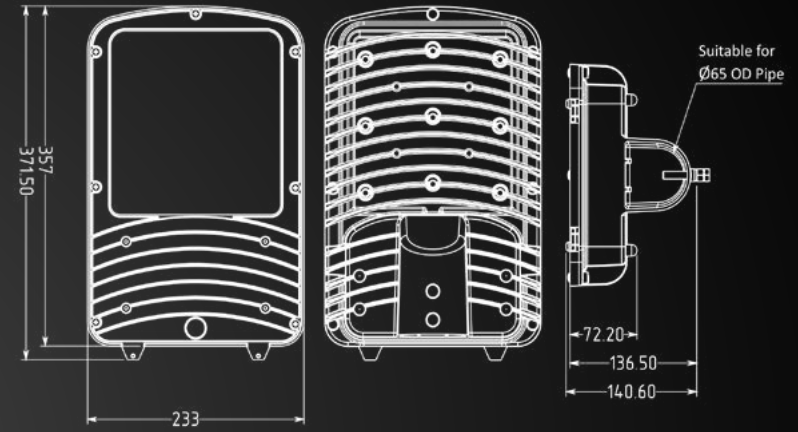




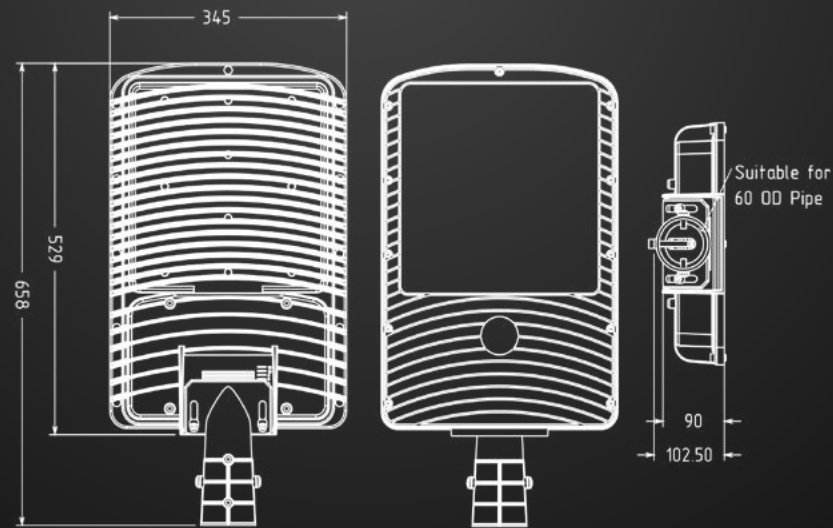
DRACO



(45W / 60W)



(60W / 72W)



(90W / 120W)

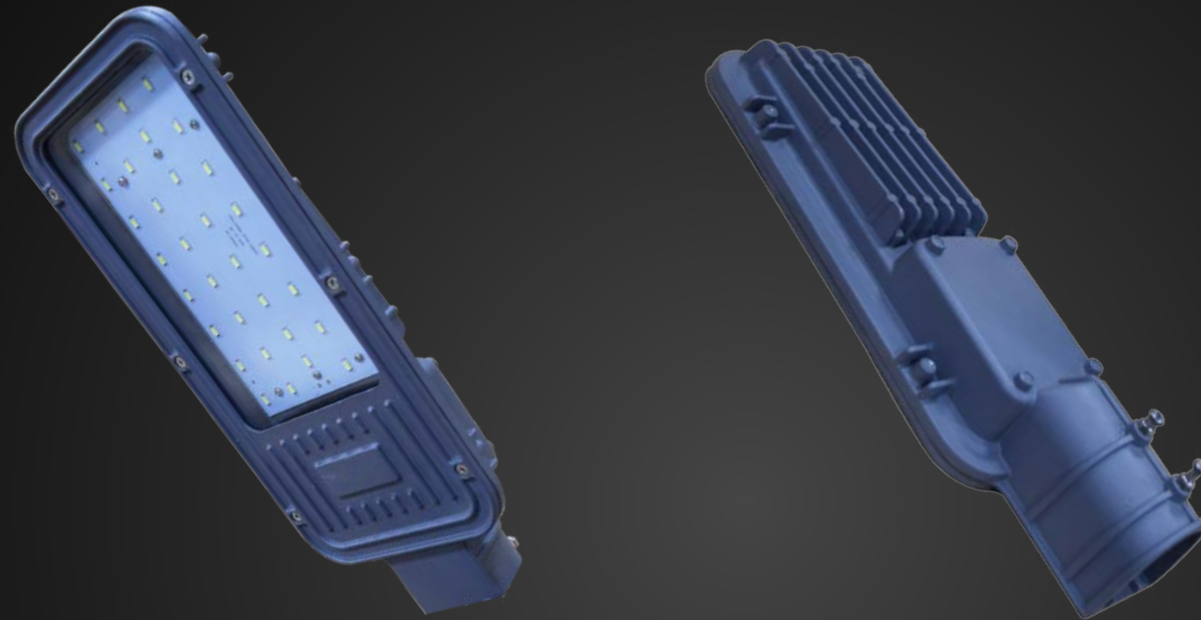


LED
CRATER Light Series





CRATER



Product Features :

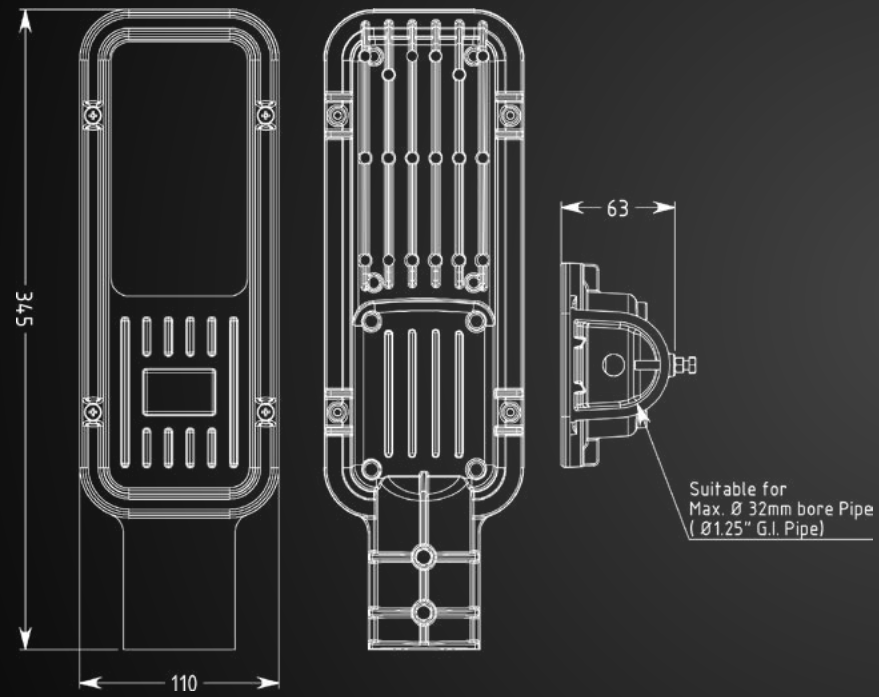
- Replacement for conventional HID Street Light
- High Power LEDs for better lighting
- Aesthetically designed pressure die-cast aluminium body
- Designed for better light distribution
- Optimum surge protection
- High Quality toughened glass

Model No	Power Consumption	CCT	Luminous Flux	CRI	Voltage Range	Life Span
CASL12	12w	2300-6300K	1200lm	> 80	140-280 V AC	>56,000hrs
CASL15	15w	2300-6300K	1500lm	> 80	140-280 V AC	>56,000hrs
CASL20	20w	2300-6300K	2000lm	> 80	140-280 V AC	>56,000hrs
CASL30	30w	2300-6300K	3000lm	> 80	140-280 V AC	>56,000hrs
CASL40	40w	2300-6300K	4000lm	> 80	140-280 V AC	>56,000hrs

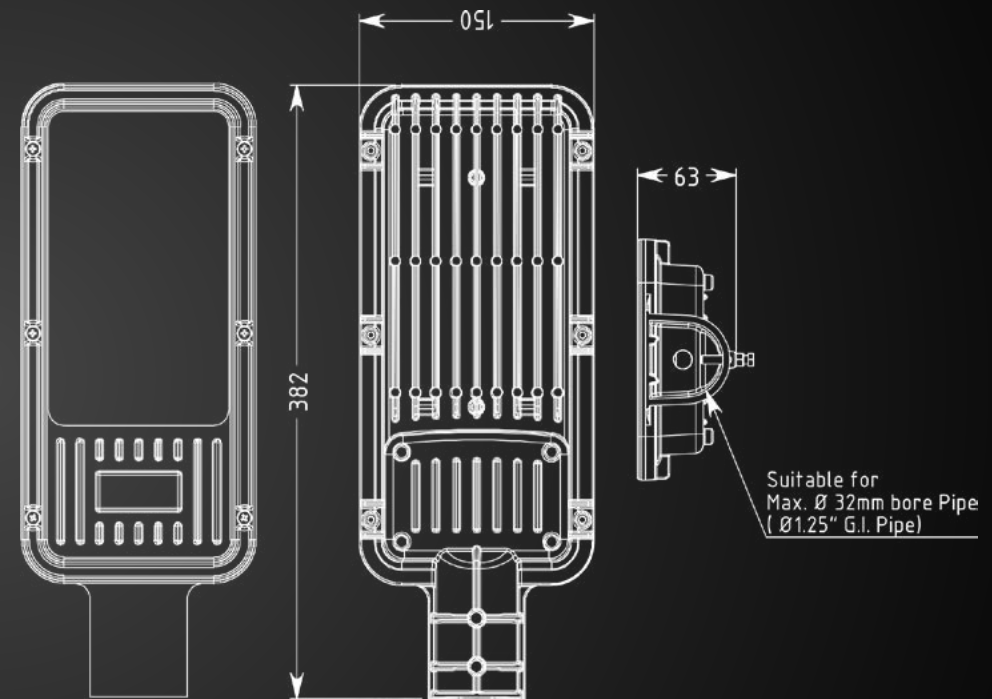




CRATER



(12W / 15W)



(20W / 30W / 40W)



LED
ANTALIA Light Series





ANTALIA



Antalia Family

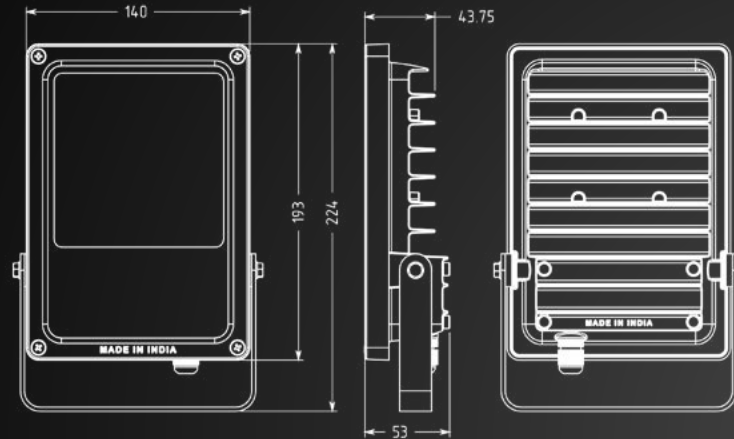
Product Features :

- Replacement for Halogen Flood Light
- High power LEDs for better lighting
- High power saving compared to conventional halogen lights
- Optimum surge protection
- Heavy aluminium body for better heat dissipation
- Water proof- (IP- 65/IP-66)
- Available in colors Red(R), Green(G) & Blue(B)

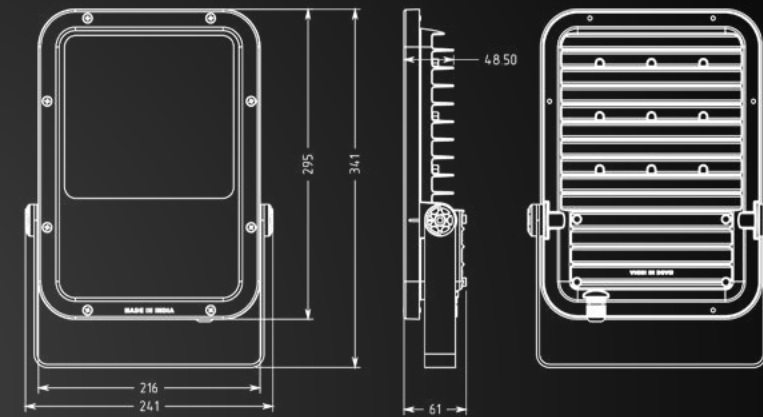
Model No (White Light)	Model No (R/G/B)	Type	Power Consumption	CCT	Luminous Flux	CRI	Voltage Range	Life Span
ATSFWRL20	ATCFWRL20	Without Reflector & Lens	20w	2300-6300K	2000lm	> 80	140-280 V AC	>56,000hrs
ATSFWRL40	ATCFWRL40	Without Reflector & Lens	40w	2300-6300K	4000lm	> 80	140-280 V AC	>56,000hrs
ATSFWRL80	ATCFWRL80	Without Reflector & Lens	80w	2300-6300K	8000lm	> 80	140-280 V AC	>56,000hrs
ATSFL20	ATCFL20	With Lens	20w	2300-6300K	2000lm	> 80	140-280 V AC	>56,000hrs
ATSFL40	ATCFL40	With Lens	40w	2300-6300K	4000lm	> 80	140-280 V AC	>56,000hrs
ATSFL80	ATCFL80	With Lens	80w	2300-6300K	8000lm	> 80	140-280 V AC	>56,000hrs
ATCFR20	ATCFR20	With Reflector	20w	2300-6300K	2000lm	> 80	140-280 V AC	>56,000hrs
ATCFR40	ATCFR40	With Reflector	40w	2300-6300K	4000lm	> 80	140-280 V AC	>56,000hrs
ATCFR80	ATCFR80	With Reflector	80w	2300-6300K	8000lm	> 80	140-280 V AC	>56,000hrs



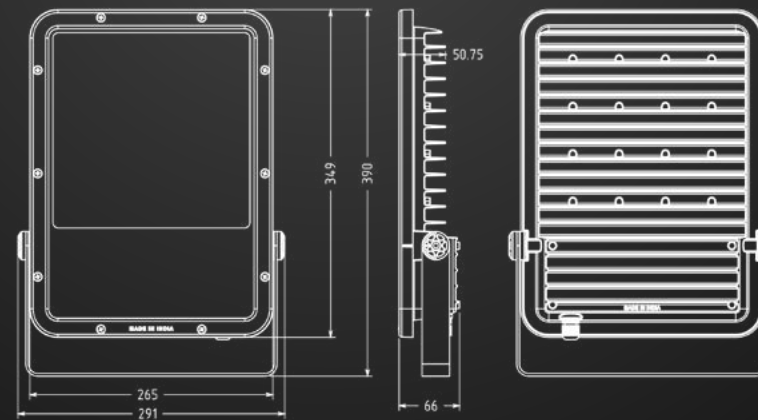
ANTALIA



(20W)



(40W)



(80W)



**We are always eager to
hear from you...**

With Best Regards